



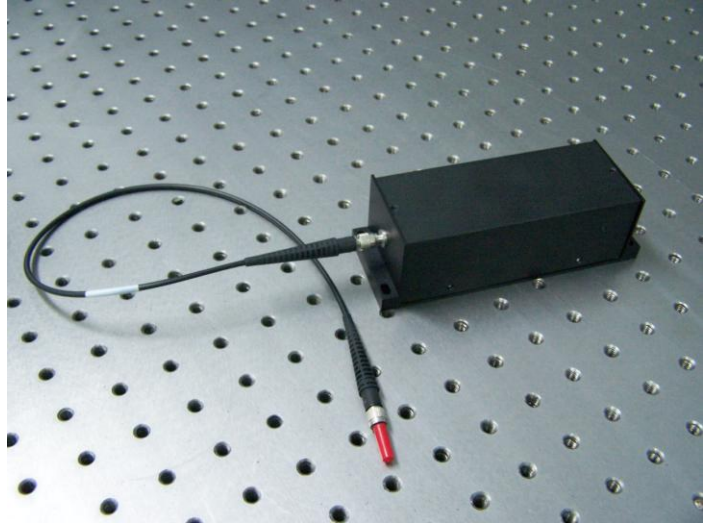
785nm Raman Laser Module

Key Features:

- ◆ Free space or fiber coupled
- ◆ Constant Power Control
- ◆ TTL Modulation Option
- ◆ ESD protection
- ◆ Plug & Play
- ◆ Low Optical Noise
- ◆ Stabilized Wavelength

Applications:

- ◆ Bio Technology
- ◆ Photo Finishing
- ◆ Semiconductor Instrument
- ◆ Medical Instrument
- ◆ Scientific Research



Specifications:

Wavelength	785nm+/-1nm
CW Output power	350mW to 1000mW
Output stability	3%
Noise (RMS)	<0.5%
Spectrum width	Max 0.2nm.
Wavelength Stability	0.02nm
Beam Diameter	3mmX3mm(multi transverse mode)
Fiber Type	Multi mode fiber
Fiber Core Diameter	50um,100um, 200um, 400um
Connector	FC/PC or SMA
Fiber cable length	1m
Fiber height from base	20mm
Operating temperature	0~40 degree C(laser case)
Warm up time	< 15minutes
Laser Head Dimensions:	
Fiber coupled	42mm(H)X49mm(W)X140mm(L)
Free Space	35mm(H)X35mm(W)X102mm(L)
Expected lifetime	>10,000hours
Power Supply	80V ~ 240V AC

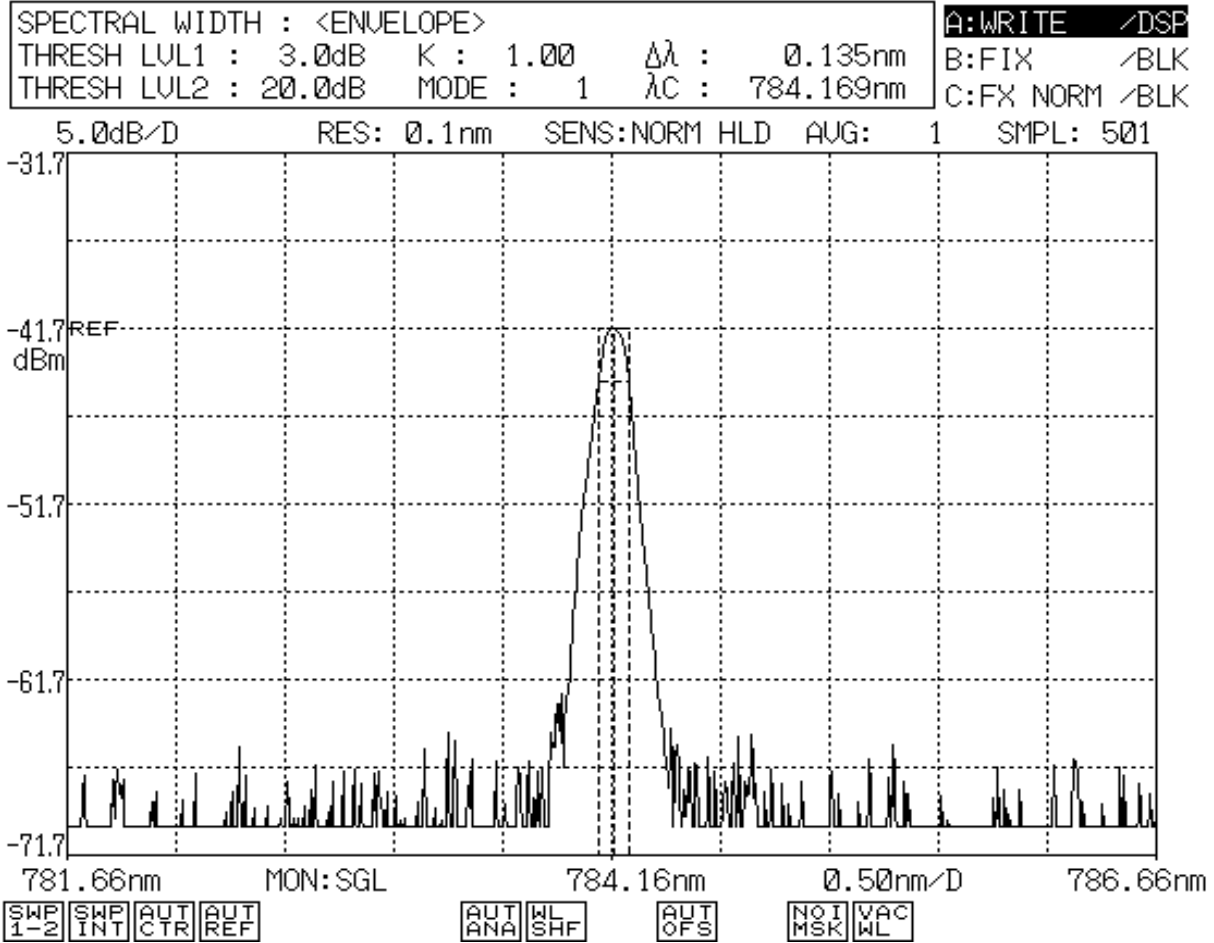
This component does not comply with the Federal Regulations (21 CFR Sub chapter 1) as administered by the Center for Devices and Radiological health. Purchaser acknowledges that his/her products must comply with these regulations before they can be sold to a customer. The output light from this product is harmful to a human body even if it is invisible. Avoid looking at the output of this product directly, or through a lens during operation. Observance of operation should be through a TV camera or related equipment. Refer to IEC 825-1 and 21 CFR 1040.10-1040.11 as a radiation safety standard for laser products.

RGLase LLC follows a policy of continuous product improvement. Specifications are subject to change without notice.

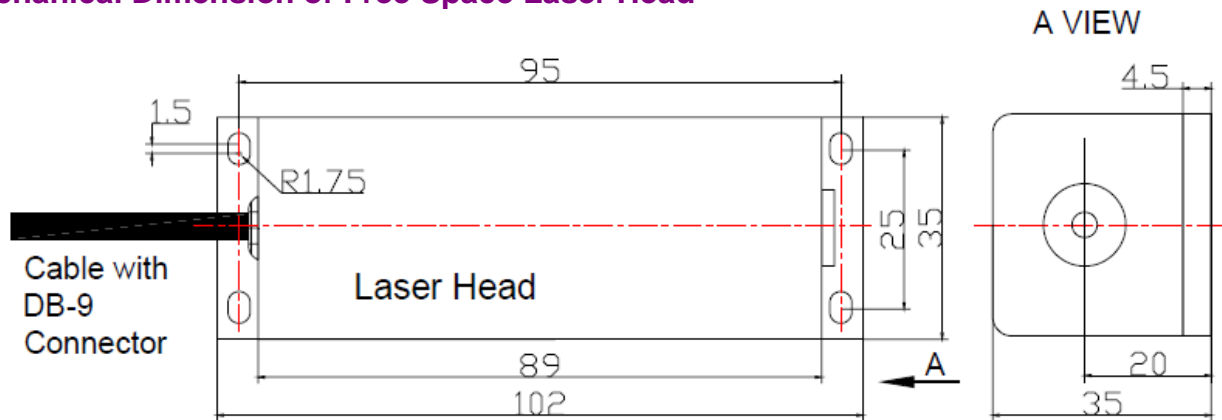
785nm Raman Laser Module

Typical Optical Spectrum Performance

2007 Jan 06 15:56



Mechanical Dimension of Free Space Laser Head

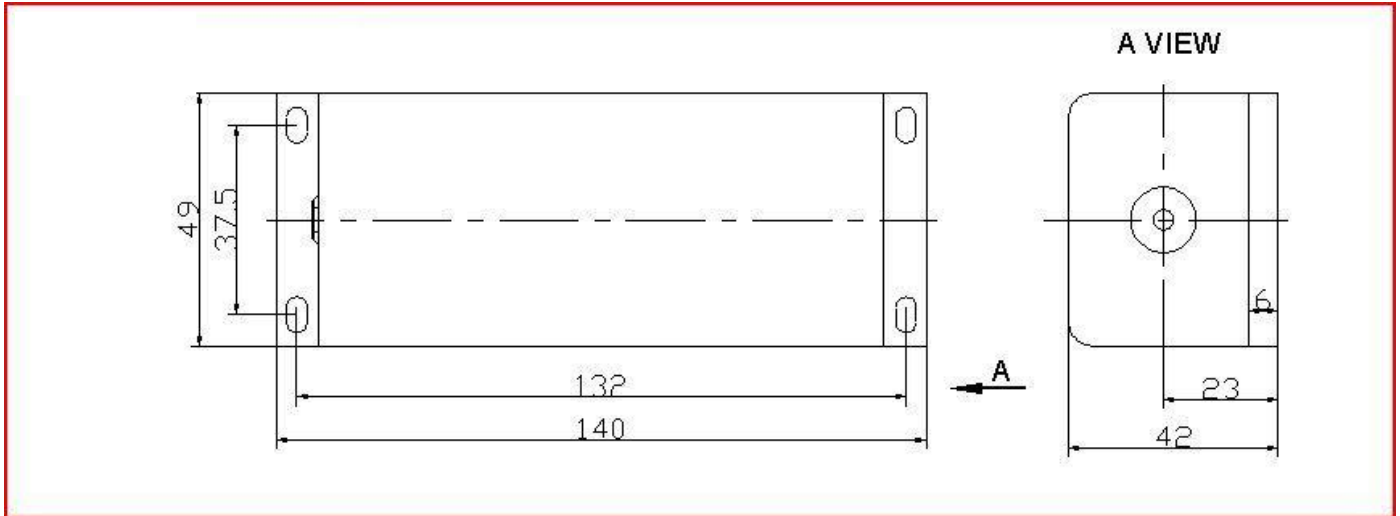


This component does not comply with the Federal Regulations (21 CFR Sub chapter 1) as administered by the Center for Devices and Radiological health. Purchaser acknowledges that his/her products must comply with these regulations before they can be sold to a customer. The output light from this product is harmful to a human body even if it is invisible. Avoid looking at the output of this product directly, or through a lens during operation. Observance of operation should be through a TV camera or related equipment. Refer to IEC 825-1 and 21 CFR 1040.10-1040.11 as a radiation safety standard for laser products.

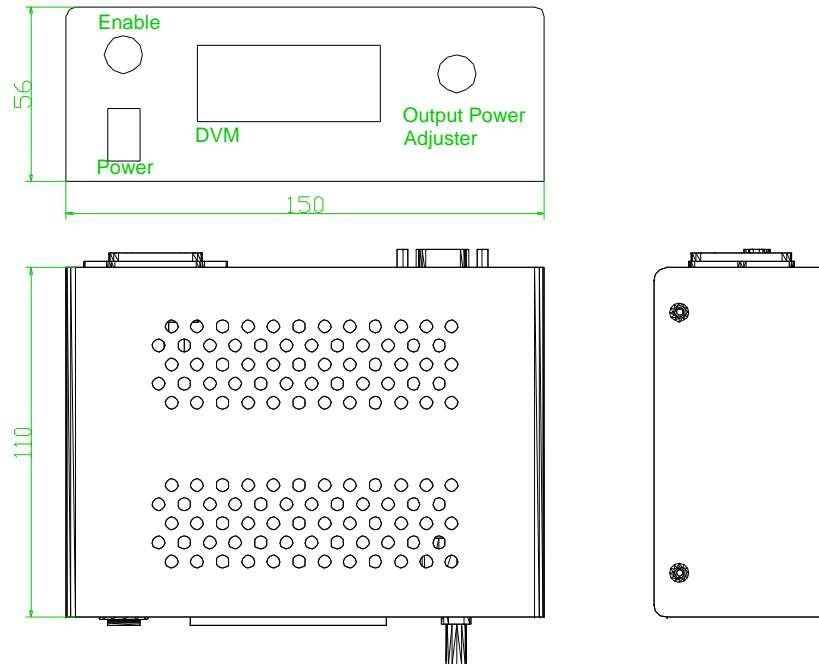


785nm Raman Laser Module

Mechanical Dimension of Fiber Coupled Laser Head



Mechanical Dimension of Laser Driver



This component does not comply with the Federal Regulations (21 CFR Sub chapter 1) as administered by the Center for Devices and Radiological health. Purchaser acknowledges that his/her products must comply with these regulations before they can be sold to a customer. The output light from this product is harmful to a human body even if it is invisible. Avoid looking at the output of this product directly, or through a lens during operation. Observance of operation should be through a TV camera or related equipment. Refer to IEC 825-1 and 21 CFR 1040.10-1040.11 as a radiation safety standard for laser products.

RGLase LLC follows a policy of continuous product improvement. Specifications are subject to change without notice.