

Q-Siwtched Solid State Laser Module

Key Features:

- ◆ 532nm Green laser
- ◆ Stabilized Pulse Control
- ◆ High Rep. Rate
- ◆ High Peak Power
- ◆ ESD protection
- ◆ Plug & Play

Applications:

- ◆ Bio Technology
- ◆ Photo Finishing
- ◆ Semiconductor Instrument
- ◆ Medical Instrument
- ◆ Scientific Research



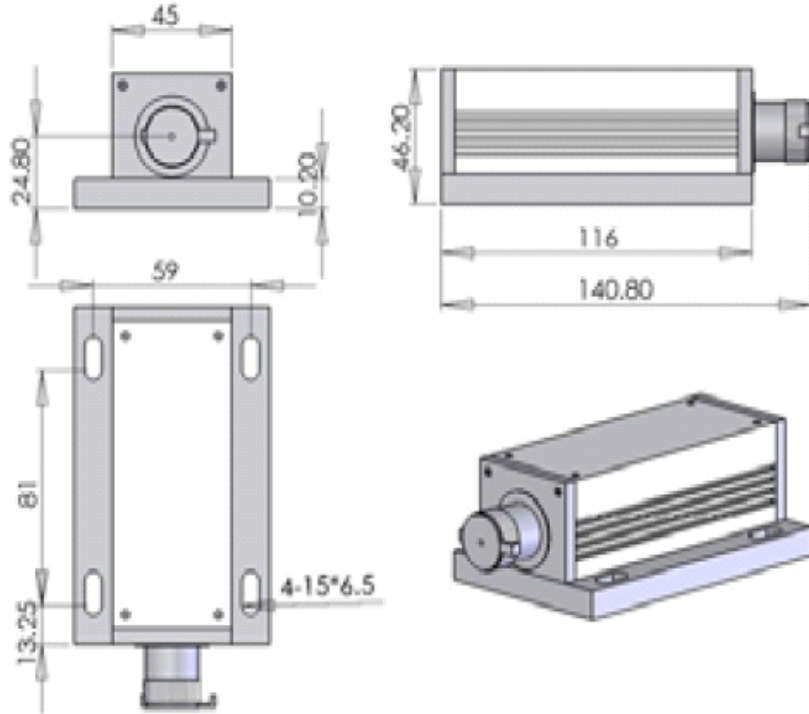
Specifications:

Wavelength	532+/-1nm
Average Output power*	Up to 15mW
Output stability	5% standard, 3% optional
Single Pulse Energy	1 ~ 3uJ
Peak Power	Up to 100W
Transverse beam mode	TEM ₀₀
Rep. Rate	Up to 5KHz with external TTL trigger, 20Khz without trigger
Pulse Duration	10ns
Beam Diameter (1/e2)	2mm
Beam Divergence (full angle, mrad)	<1.5
Beam height from base	24.8mm
Operating temperature	10~35 degree C
Warm up time	< 15minutes
Expected lifetime	10,000hours
Mechanical Dimensions(laser head)	141mm(L)X59mm(W)X46mm(H)
Warranty	1 year from the date ship out from factory

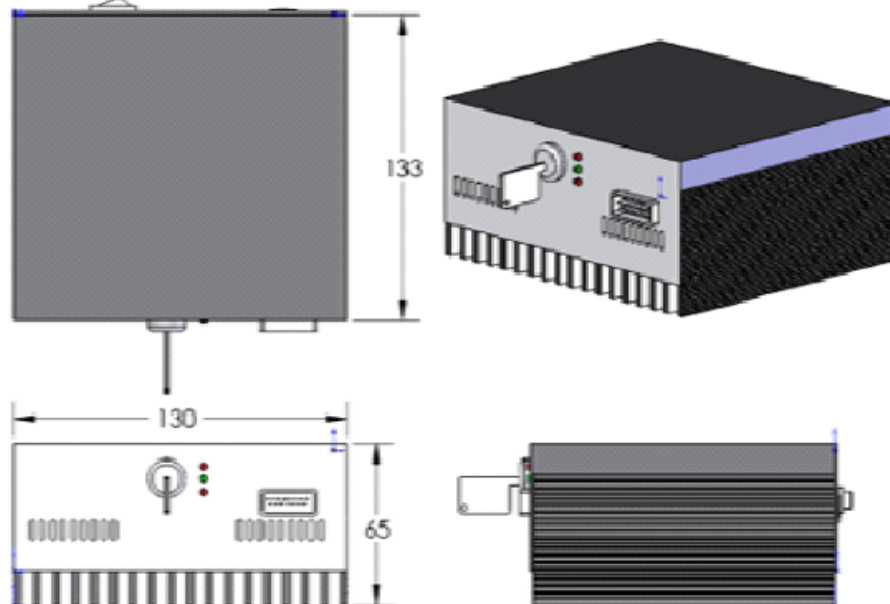
* Average Power(mW)=Single pulse energy(uJ) X Rep rate(KHz)

Q-Siwtched Solid State Laser Module

Mechanical Dimension of Laser Head:



Mechanical Dimension of Laser Driver:



This component does not comply with the Federal Regulations (21 CFR Sub chapter 1) as administered by the Center for Devices and Radiological health. Purchaser acknowledges that his/her products must comply with these regulations before they can be sold to a customer. The output light from this product is harmful to a human body even if it is invisible. Avoid looking at the output of this product directly, or through a lens during operation. Observance of operation should be through a TV camera or related equipment. Refer to IEC 825-1 and 21 CFR 1040.10-1040.11 as a radiation safety standard for laser products. RGLase LLC follows a policy of continuous product improvement. Specifications are subject to change without notice.