

## Diode Pumped Solid State Laser Module

### Key Features:

- ◆ 1064nm laser
- ◆ Stabilized Pulse Control
- ◆ High Rep. Rate
- ◆ High Peak Power
- ◆ ESD protection
- ◆ Plug & Play

### Applications:

- ◆ Bio Technology
- ◆ Photo Finishing
- ◆ Semiconductor Instrument
- ◆ Medical Instrument
- ◆ Scientific Research



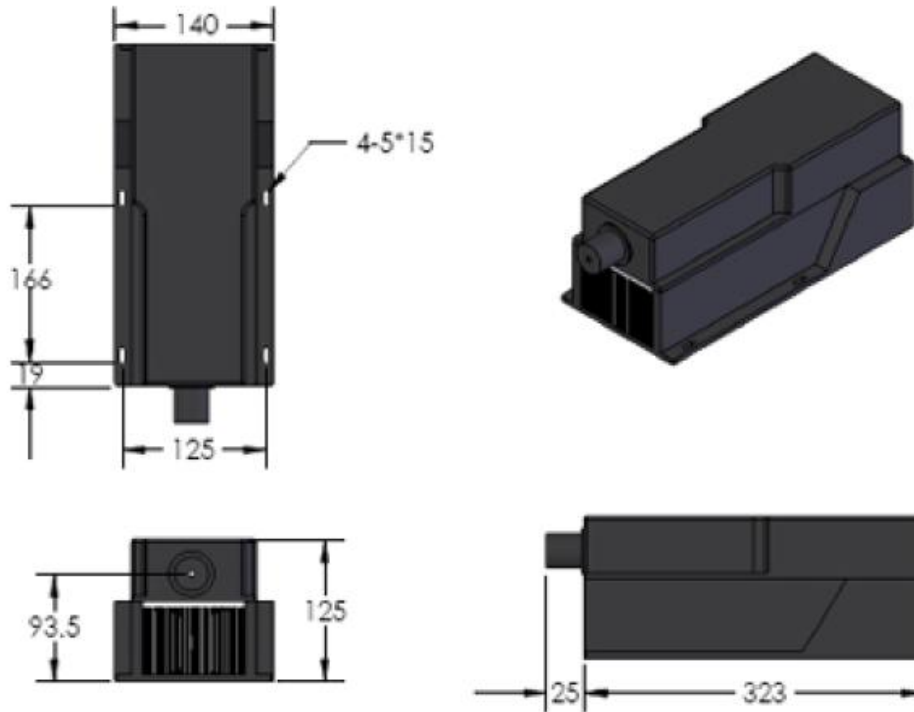
### Specifications:

|  |  |
|--|--|
| <b>Wavelength</b>                        | 1064+/-1nm                                     |
| <b>Average Output power*</b>             | Up to 9W                                       |
| <b>Output stability</b>                  | 5% standard, 3% optional                       |
| <b>Single Pulse Energy</b>               | 20 ~ 1mJ                                       |
| <b>Peak Power</b>                        | Up to 30kW                                     |
| <b>Transverse beam mode</b>              | Near TEM <sub>00</sub>                         |
| <b>Rep. Rate</b>                         | Up to 50KHz with stabilized pulse              |
| <b>Pulse Duration</b>                    | 5 ~ 30ns                                       |
| <b>Beam Diameter (1/e<sup>2</sup>)</b>   | ~4mm   |
| <b>Beam height from base</b>             | 93.5mm   |
| <b>Operating temperature</b>             | 10~35 degree C ( laser case)                   |
| <b>Warm up time</b>                      | < 15minutes                                    |
| <b>Expected lifetime</b>                 | 10,000hours                                    |
| <b>Mechanical Dimensions(laser head)</b> | 358mm(L)X140mm(W)X125mm(H)                     |
| <b>Warranty</b>                          | 1 year from the date ship out from out factory |

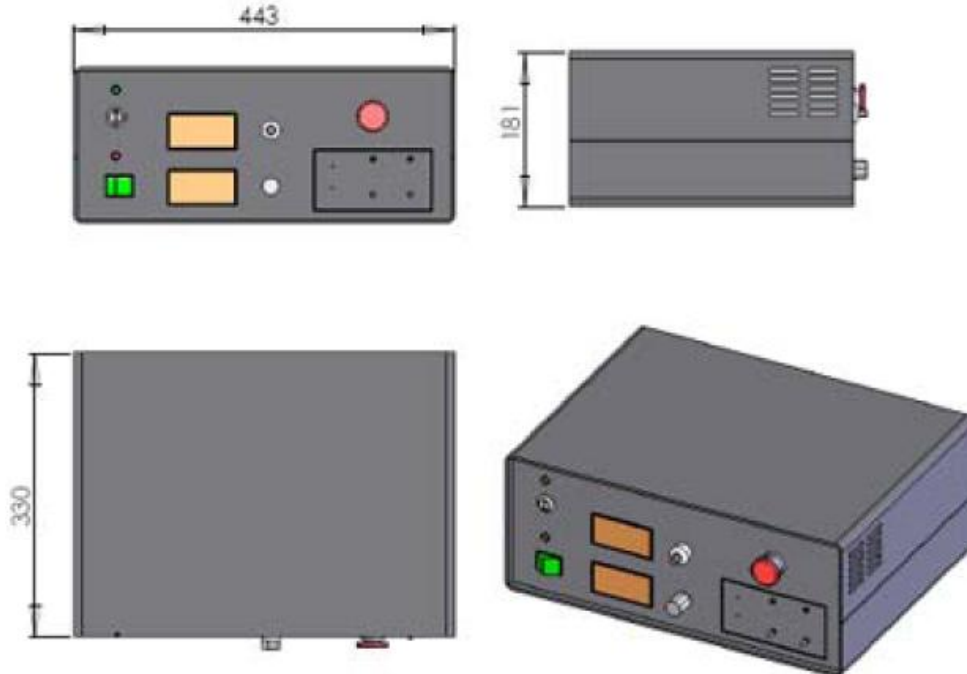
\* Average Power(mW)=Single pulse energy(uJ) X Rep rate(KHz)

# Diode Pumped Solid State Laser Module

## Mechanical Dimension of Laser Head:



## Mechanical Dimension of Laser Driver:



This component does not comply with the Federal Regulations (21 CFR Sub chapter 1) as administered by the Center for Devices and Radiological health. Purchaser acknowledges that his/her products must comply with these regulations before they can be sold to a customer. The output light from this product is harmful to a human body even if it is invisible. Avoid looking at the output of this product directly, or through a lens during operation. Observance of operation should be through a TV camera or related equipment. Refer to IEC 825-1 and 21 CFR 1040.10-1040.11 as a radiation safety standard for laser products. RgBLase LLC follows a policy of continuous product improvement. Specifications are subject to change without notice.