

## Diode Pumped Solid State Laser Module

### Key Features:

- ◆ 593.5nm Yellow
- ◆ Constant Power Control
- ◆ Remote control
- ◆ TTL Modulation (optional)
- ◆ ESD protection
- ◆ Plug & Play
- ◆ Low Noise (optional)

### Applications:

- ◆ Bio Technology
- ◆ Photo Finishing
- ◆ Semiconductor Instrument
- ◆ Medical Instrument
- ◆ Scientific Research



### Specifications:

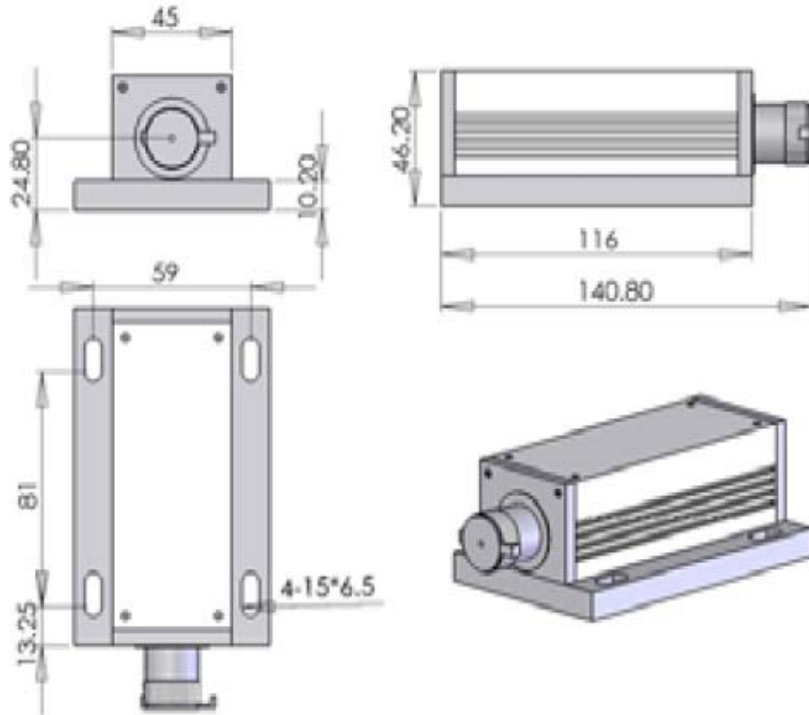
<b>Wavelength</b>	593.5+/-1nm
<b>CW Output power</b>	5mW ~ 800mW
<b>Output stability</b>	10% standard, 5% optional
<b>Optical Noise (RMS)</b>	10% or 2%(Low noise version optional)
<b>Transverse beam mode</b>	
5mW ~ 30mW	TEM <sub>00</sub>
50mW ~ 800mW	Near TEM <sub>00</sub>
<b>Beam Divergence (1/e<sup>2</sup>, Full Angle)</b>	
5mW ~ 30mW	<1.5 mrad
50mW ~ 800mW	<2 mrad
<b>Beam Diameter (1/e<sup>2</sup>)</b>	
5mW ~ 30mW	~2mm
50mW ~ 150mW	~3mm
200mW ~ 800mW	~4mm
<b>M2</b>	
5mW ~ 30mW	<1.2
50mW ~ 800mW	<2

## Diode Pumped Solid State Laser Module

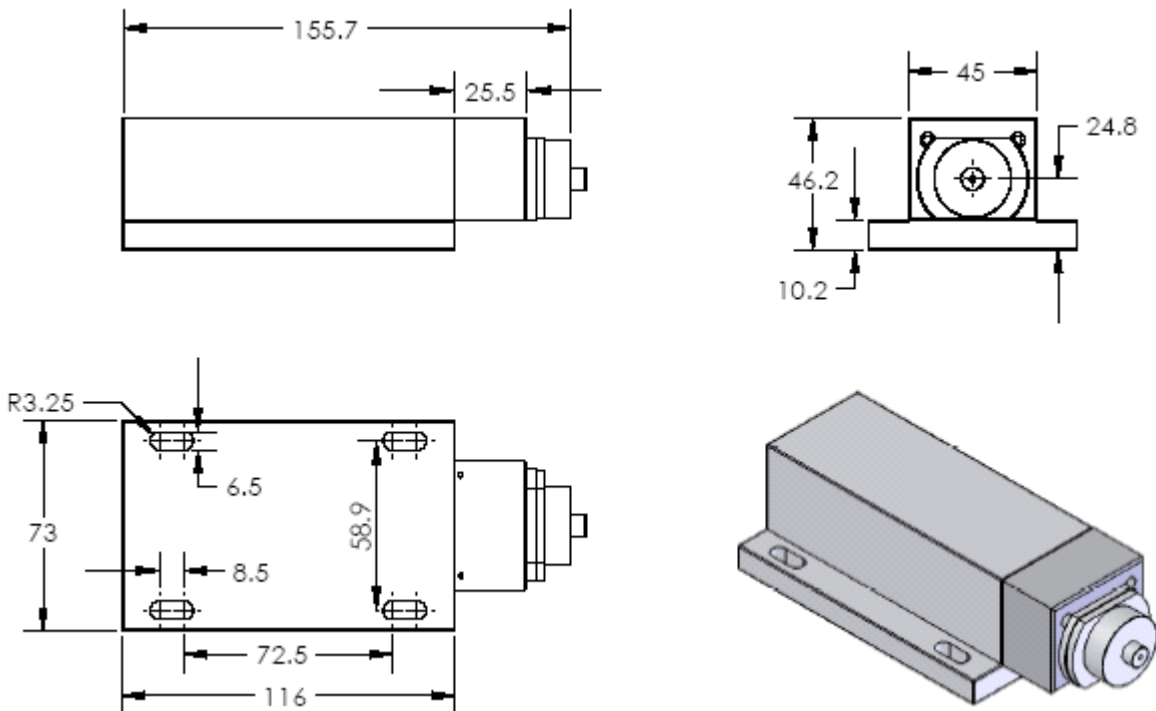
<b>Spectral Linewidth</b>	~0.1nm
<b>Polarization Ratio</b>	100:1( 0 or 90 degree)
<b>Pointing Stability After Warm Up</b>	<0.05mrad
<b>Beam height from base</b>	
5mW ~ 30mW	24.8mm
50mW ~ 80mW	29mm
100mW ~ 150mW	45mm
200mW ~ 300mW	68.2mm
400mW ~ 800mW	93.5mm
<b>Operating temperature</b>	10~35 degree C
<b>Warm up time</b>	< 15minutes
<b>Expected lifetime</b>	10,000hours
<b>Mechanical Dimensions(laser head)</b>	
5mW ~ 30mW	140.8mm(L)X73mm(W)X46.2mm(H)
50mW ~ 80mW	155mm(L)X77mm(W)X60mm(H)
100mW ~ 150mW	211.3mm(L)X88mm(W)X74mm(H)
200mW ~ 300mW	235mm(L)X99mm(W)X94mm(H)
400mW ~ 800mW	333mm(L)X140mm(W)X125mm(H)
<b>Warranty</b>	1 year from the date ship out from out factory

## Diode Pumped Solid State Laser Module

Mechanical Dimension of Laser Head with power <30mW( Fess Space):

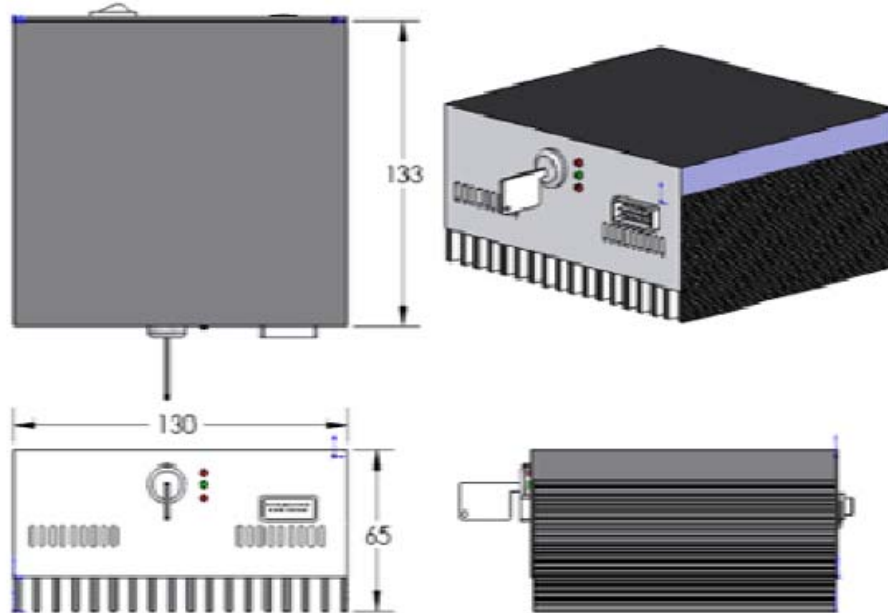


Mechanical Dimension of Laser Head with power <30mW(Fiber Coupled):

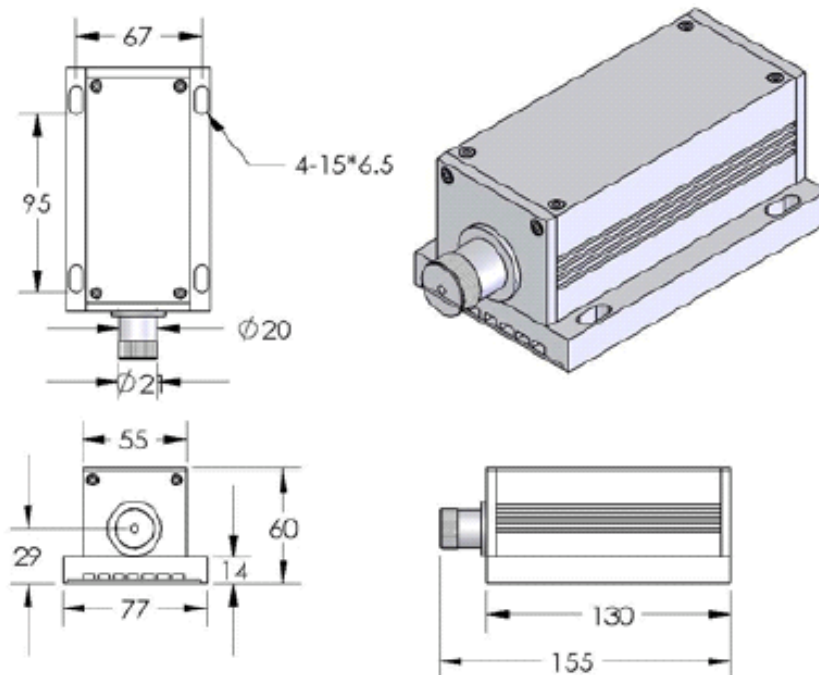


## Diode Pumped Solid State Laser Module

Mechanical Dimension of Laser Driver with power <30mW:

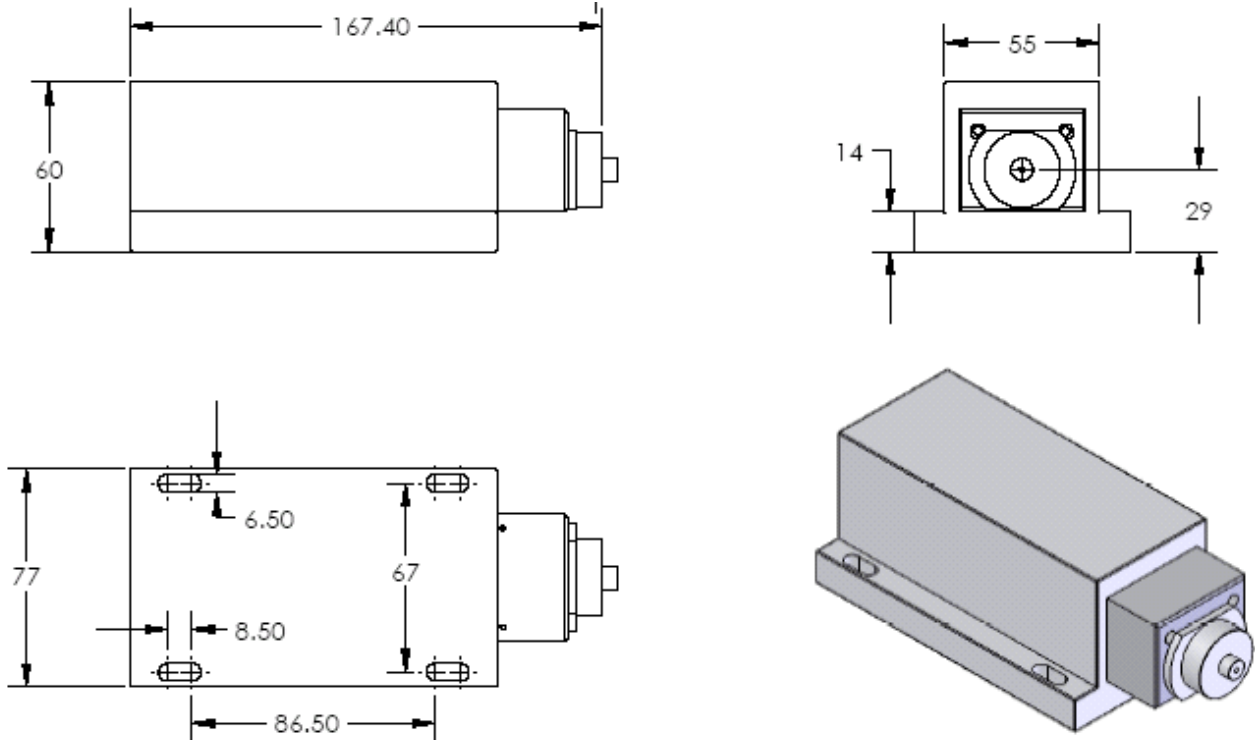


Mechanical Dimension of Laser Head with 50mW~80mW( Free Space):

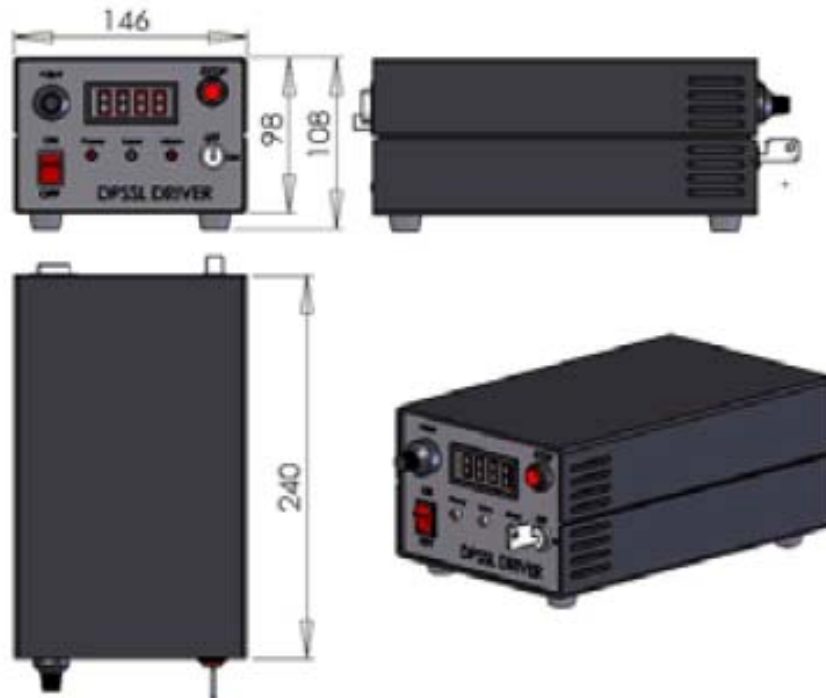


## Diode Pumped Solid State Laser Module

Dimension of Laser Head with power 50mW~80mW(Fiber Coupled):

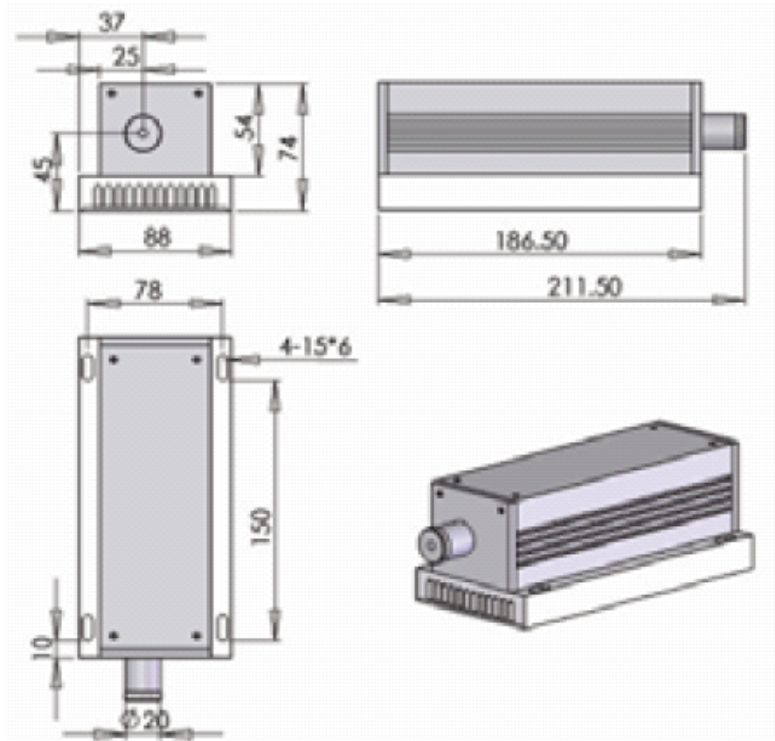


Mechanical Dimension of Laser Driver with power 50mW~80mW:

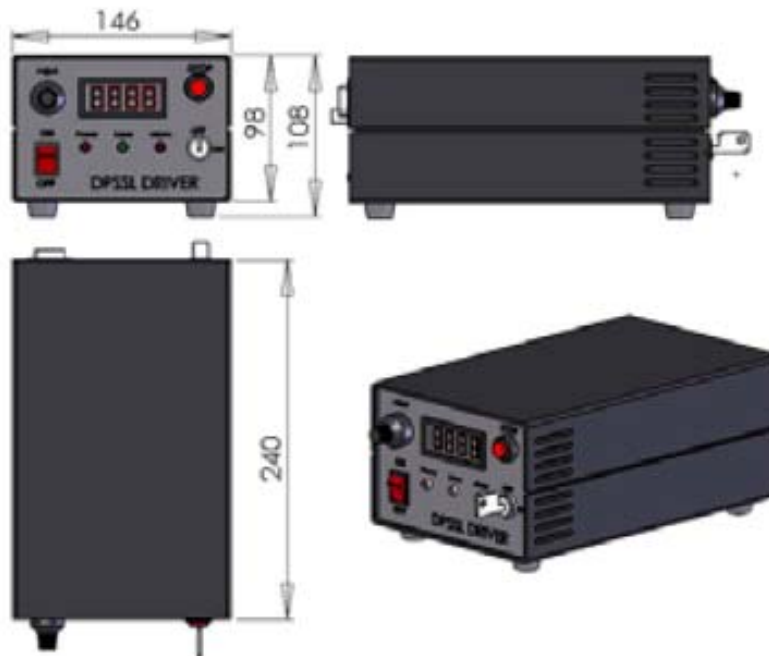


## Diode Pumped Solid State Laser Module

Mechanical Dimension of Laser Head with power 100mW ~ 150mW:

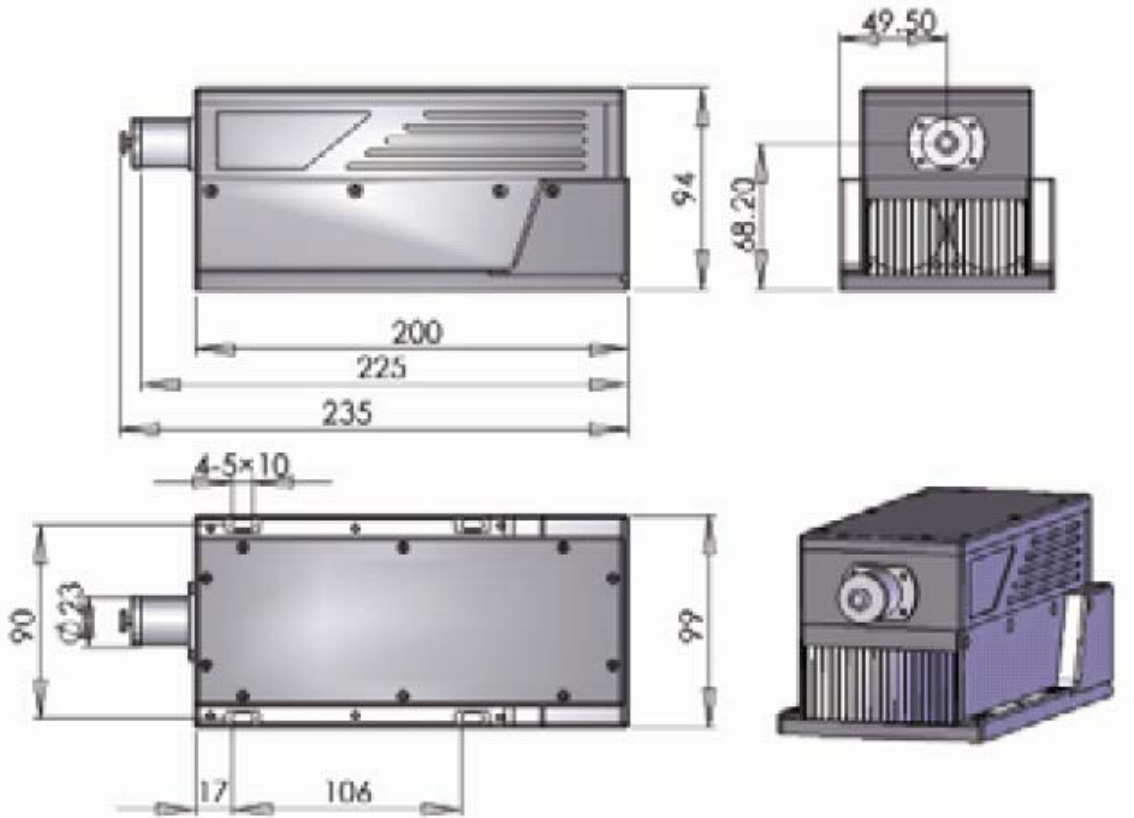


Mechanical Dimension of Laser Driver with power 100mW ~ 150mW:

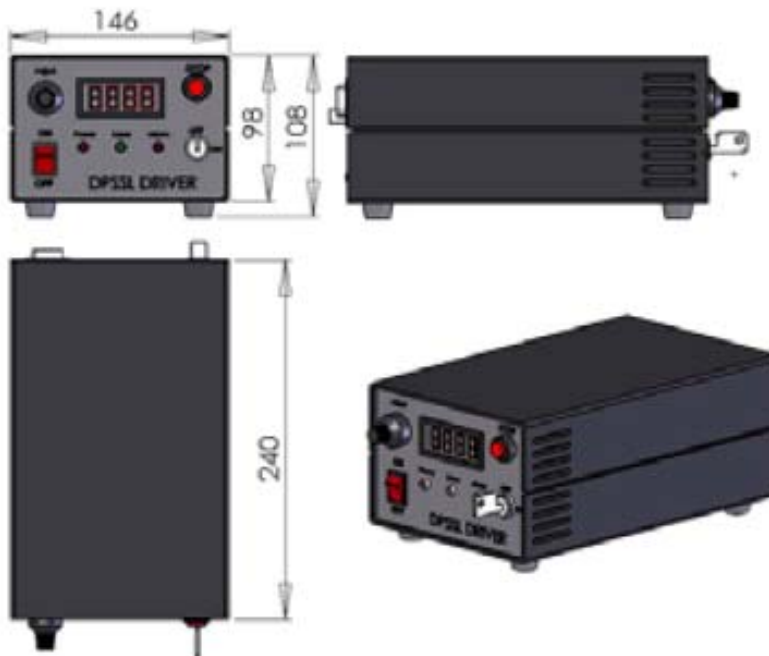


## Diode Pumped Solid State Laser Module

Mechanical Dimension of Laser Head with power 200mW ~ 300mW:

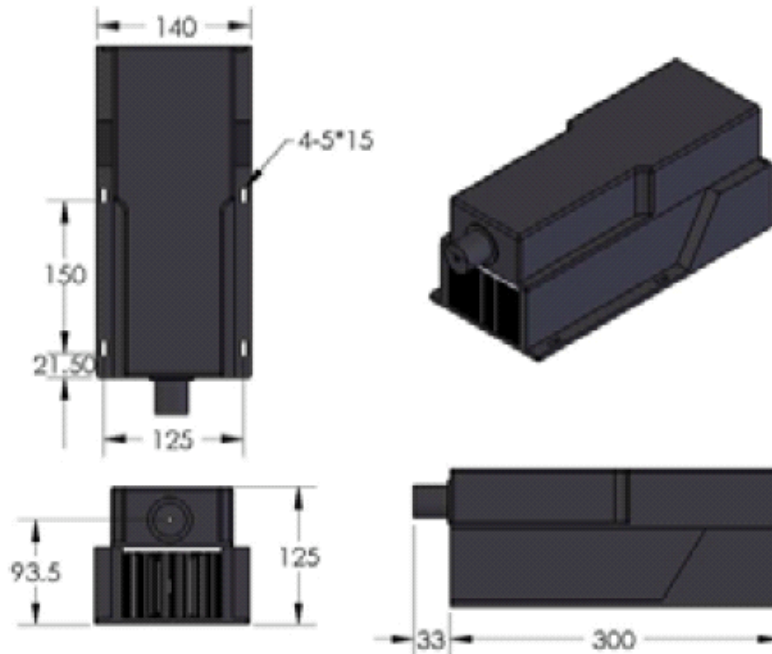


Mechanical Dimension of Laser Driver with power 200mW ~ 300mW:

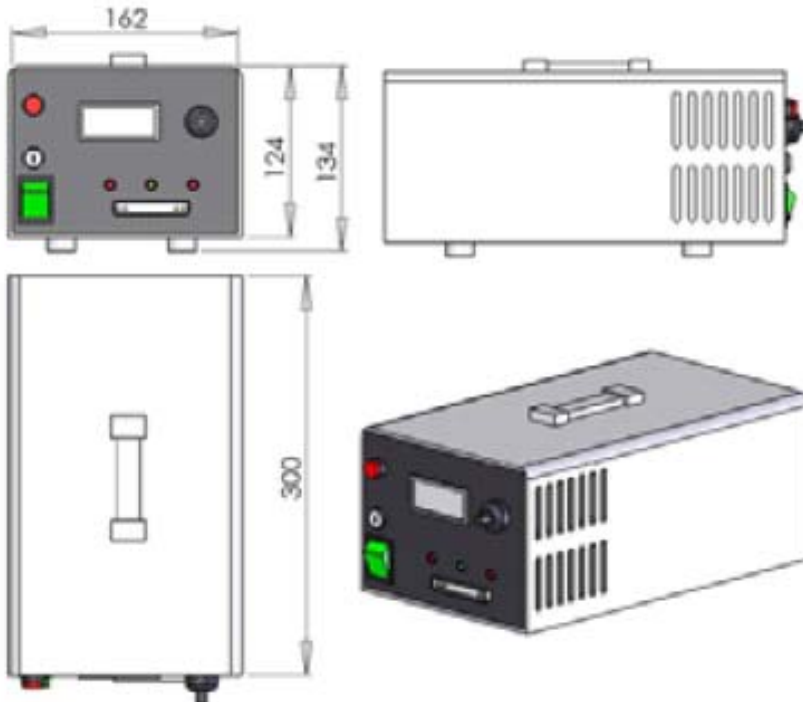


## Diode Pumped Solid State Laser Module

Mechanical Dimension of Laser Head with power 400mW ~ 800mW:



Mechanical Dimension of Laser Driver with power 400mW ~ 800mW:



This component does not comply with the Federal Regulations (21 CFR Sub chapter 1) as administered by the Center for Devices and Radiological health. Purchaser acknowledges that his/her products must comply with these regulations before they can be sold to a customer. The output light from this product is harmful to a human body even if it is invisible. Avoid looking at the output of this product directly, or through a lens during operation. Observance of operation should be through a TV camera or related equipment. Refer to IEC 825-1 and 21 CFR 1040.10-1040.11 as a radiation safety standard for laser products.

RgBLase LLC follows a policy of continuous product improvement. Specifications are subject to change without notice.