

Diode Pumped Solid State Laser Module

Key Features:

- ◆ 589nm Yellow
- ◆ Constant Power Control
- ◆ Remote control
- ◆ TTL Modulation (optional)
- ◆ ESD protection
- ◆ Plug & Play
- ◆ Fiber Coupling

Applications:

- ◆ Bio Technology
- ◆ Photo Finishing
- ◆ Semiconductor Instrument
- ◆ Medical Instrument
- ◆ Scientific Research

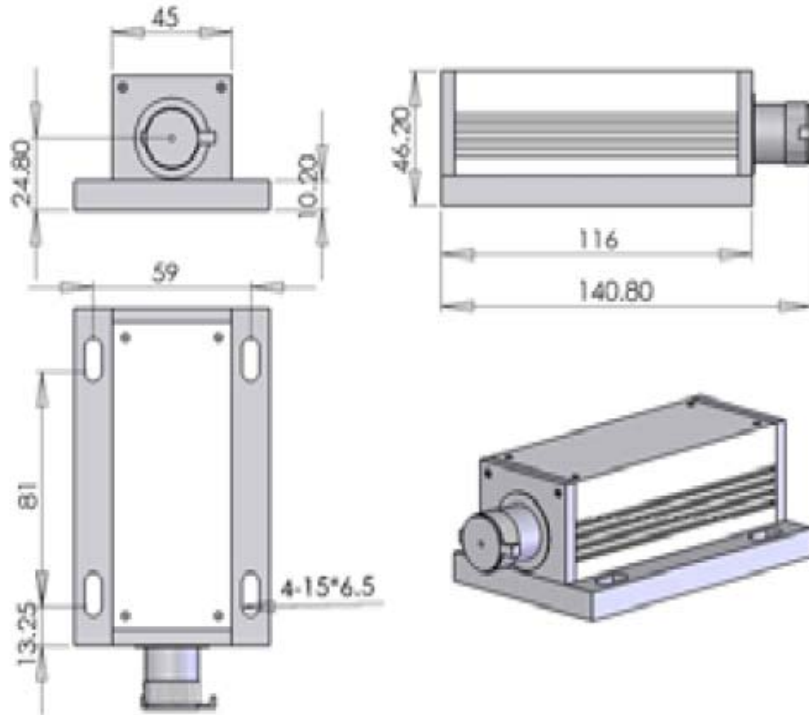


Specifications:

| | |
|---|--|
| Wavelength | 589nm +/-1nm |
| CW Output power | 1mW ~ 10mW |
| Output stability | 10% standard |
| Optical Noise (RMS) | 10% |
| Transverse beam mode | Near TEM ₀₀ |
| Beam Divergence (1/e ² , Full Angle) | <1.5 mrad |
| Beam Diameter (1/e ²) | ~2mm |
| M2 | <1.2 |
| Spectral Linewidth | ~0.1nm |
| Polarization Ratio | 100:1 (0 or 90 degree) |
| Pointing Stability After Warm Up | <0.05mrad |
| Beam height from base | 24.8mm |
| Operating temperature | 10~35 degree C |
| Warm up time | < 15minutes |
| Expected lifetime | 10,000hours |
| Mechanical Dimensions(laser head) | 140.8mm(L)X73mm(W)X46.2mm(H) |
| Warranty | 1 year from the date ship out from out factory |

Diode Pumped Solid State Laser Module

Mechanical Dimension of Laser Head:



Mechanical Dimension of Laser Driver:

