

Diode Pumped Solid State Laser Module

Key Features:

- ◆ 556nm Yellow Green
- ◆ Constant Power Control
- ◆ Remote control
- ◆ TTL Modulation (optional)
- ◆ ESD protection
- ◆ Plug & Play
- ◆ Low Noise (optional)

Applications:

- ◆ Bio Technology
- ◆ Photo Finishing
- ◆ Semiconductor Instrument
- ◆ Medical Instrument
- ◆ Scientific Research



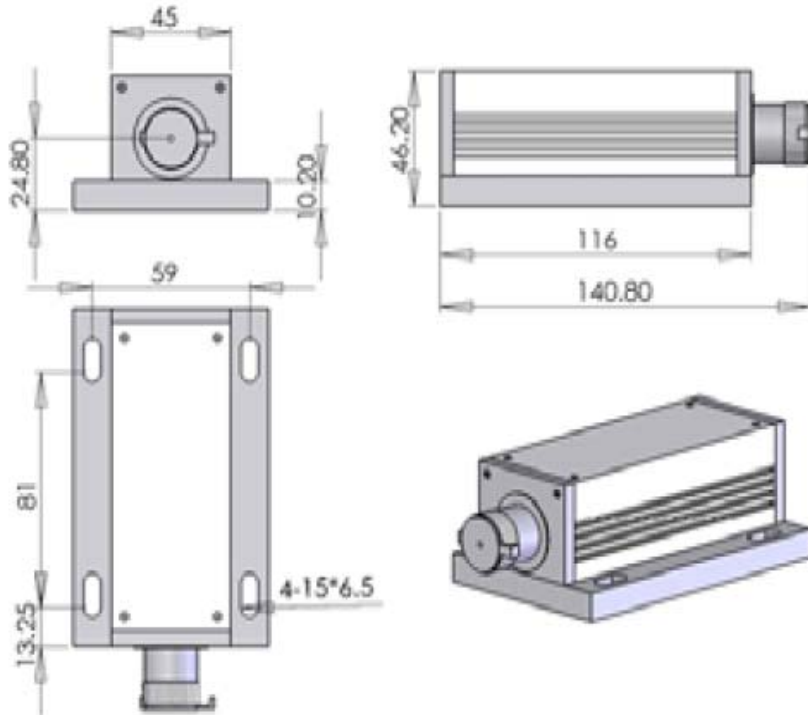
Specifications:

Wavelength	556 +/- 1nm
CW Output power	10mW ~ 1W
Output stability	10% standard, 5% optional
Optical Noise (RMS)	20% or 3% (Low noise version optional)
Transverse beam mode	
10mW ~ 80mW	TEM ₀₀
100mW ~ 1W	Near TEM ₀₀
Beam Divergence (1/e², Full Angle)	
10mW ~ 80mW	< 1.5 mrad
100mW ~ 1W	< 2 mrad
Beam Diameter (1/e²)	
10mW ~ 80mW	~ 2mm
100mW ~ 200mW	~ 3mm
500mW ~ 1000mW	~ 4mm
M2	
10mW ~ 80mW	< 1.2
100mW ~ 200mW	< 2

Diode Pumped Solid State Laser Module

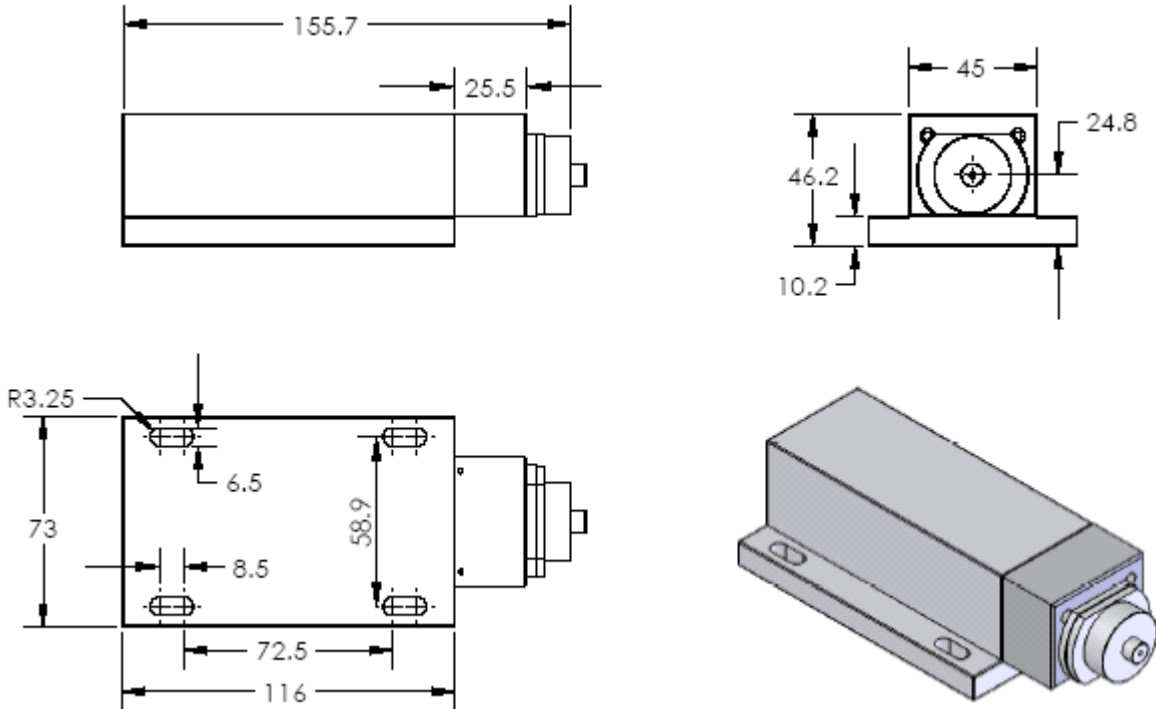
500mW ~ 1000mW	<3
Spectral Linewidth	~0.1nm
Polarization Ratio	100:1(0 or 90 degree)
Pointing Stability After Warm Up	<0.05mrad
Beam height from base	
10mW ~ 80mW	24.8mm
100mW ~ 200mW	29mm
500mW ~ 1000mW	68.2mm
Operating temperature	10~35 degree C
Warm up time	< 15minutes
Expected lifetime	10,000hours
Mechanical Dimensions(laser head)	
10mW ~ 80mW	140.8mm(L)X73mm(W)X46.2mm(H)
100mW ~ 200mW	155mm(L)X77mm(W)X60mm(H)
500mW ~ 1000mW	235mm(L)X99mm(W)X94mm(H)
Warranty	1 year from the date ship out from out factory

Mechanical Dimension of Laser Head with power <80mW(Fess Space):

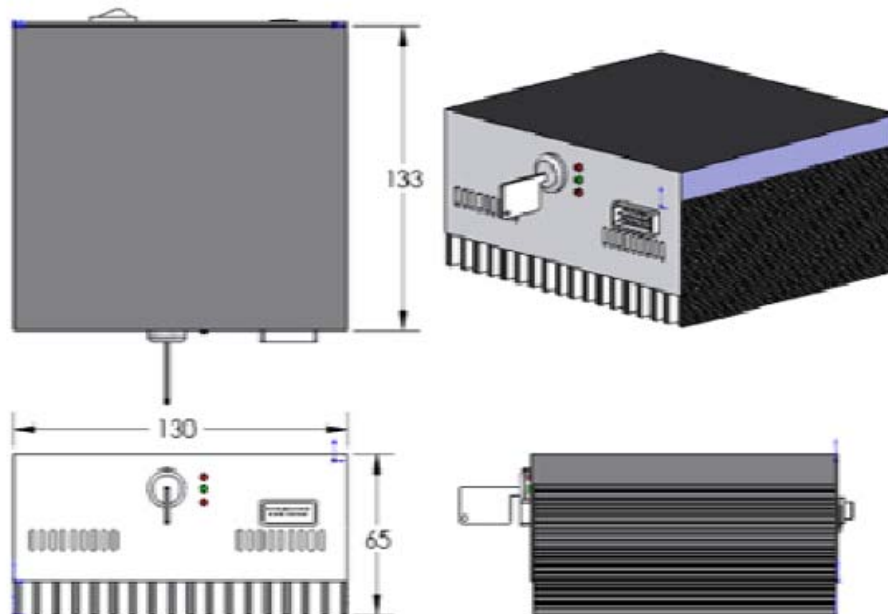


Diode Pumped Solid State Laser Module

Mechanical Dimension of Laser Head with power <80mW(Fiber Coupled):

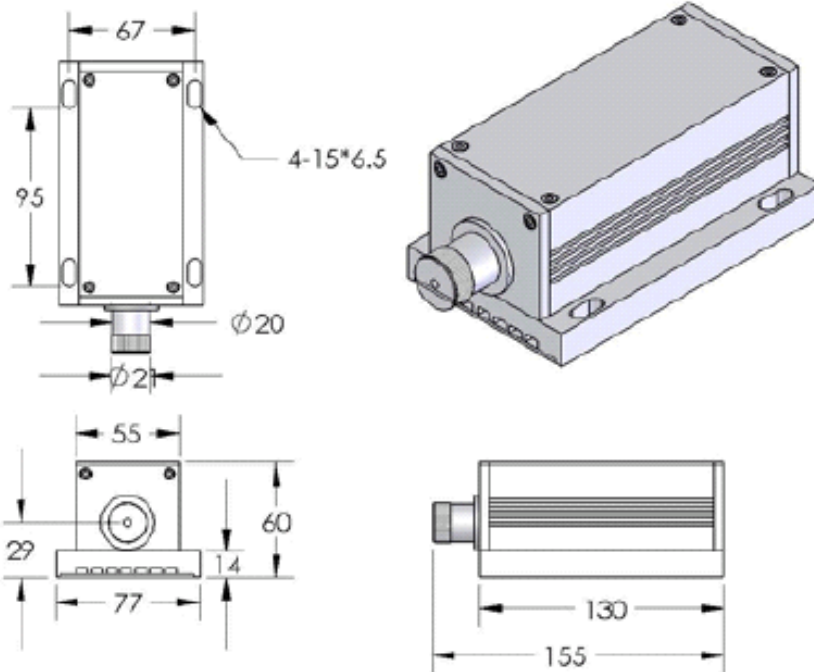


Mechanical Dimension of Laser Driver with power <80W:

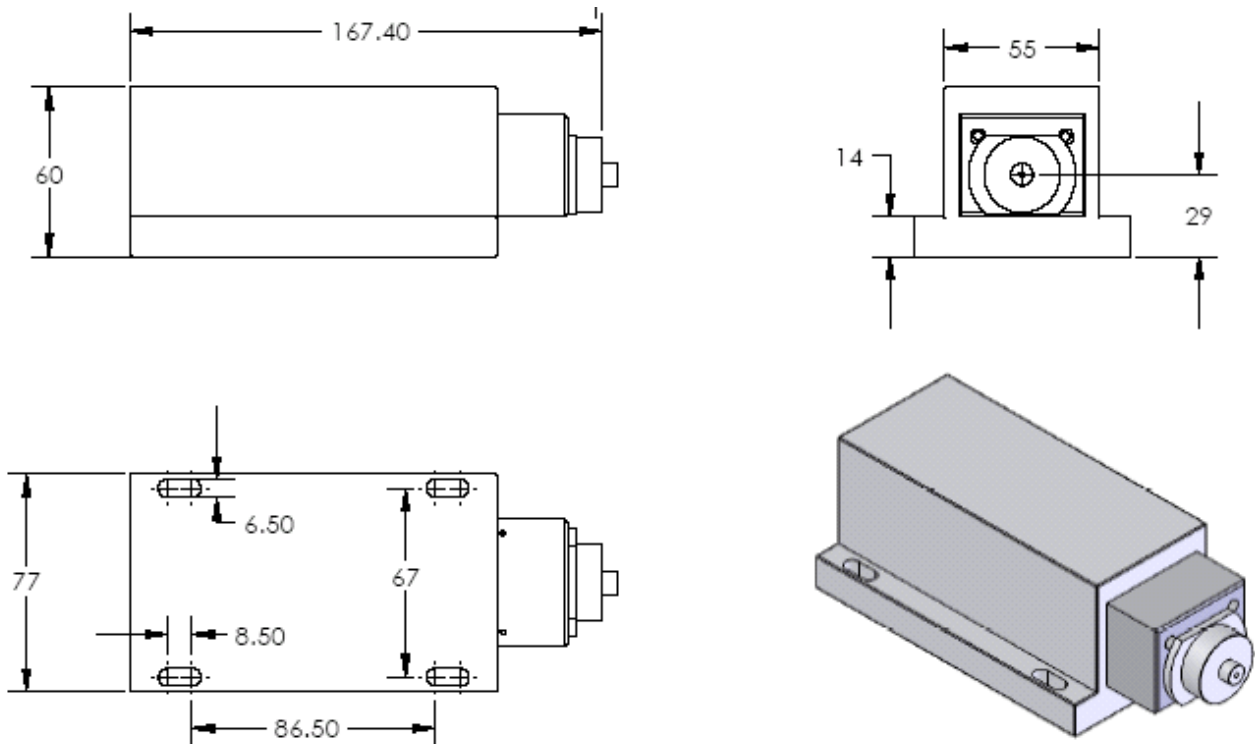


Diode Pumped Solid State Laser Module

Mechanical Dimension of Laser Head with power 0.1W~0.2W(Free Space):

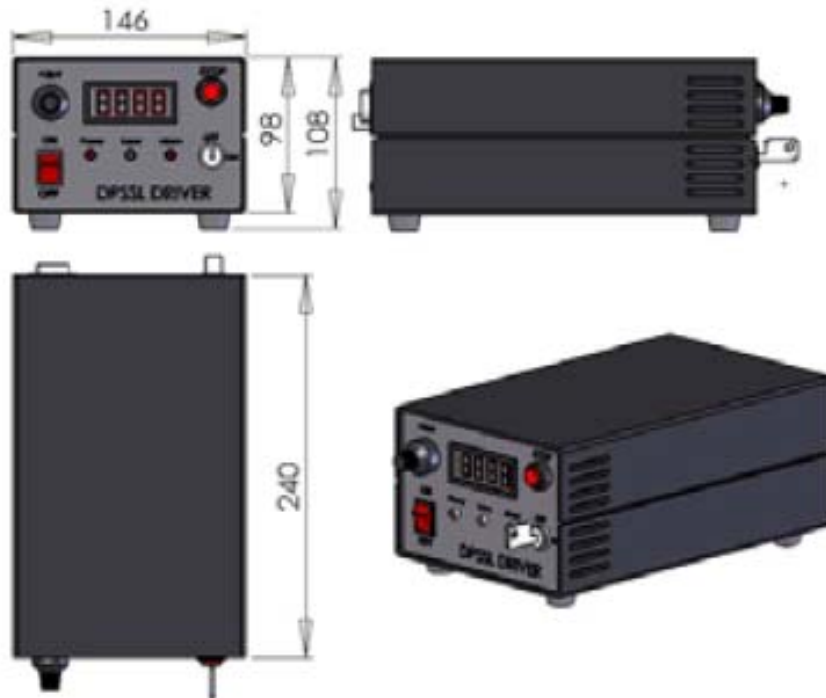


Dimension of Laser Head with power 0.1W~0.2W(Fiber Coupled):

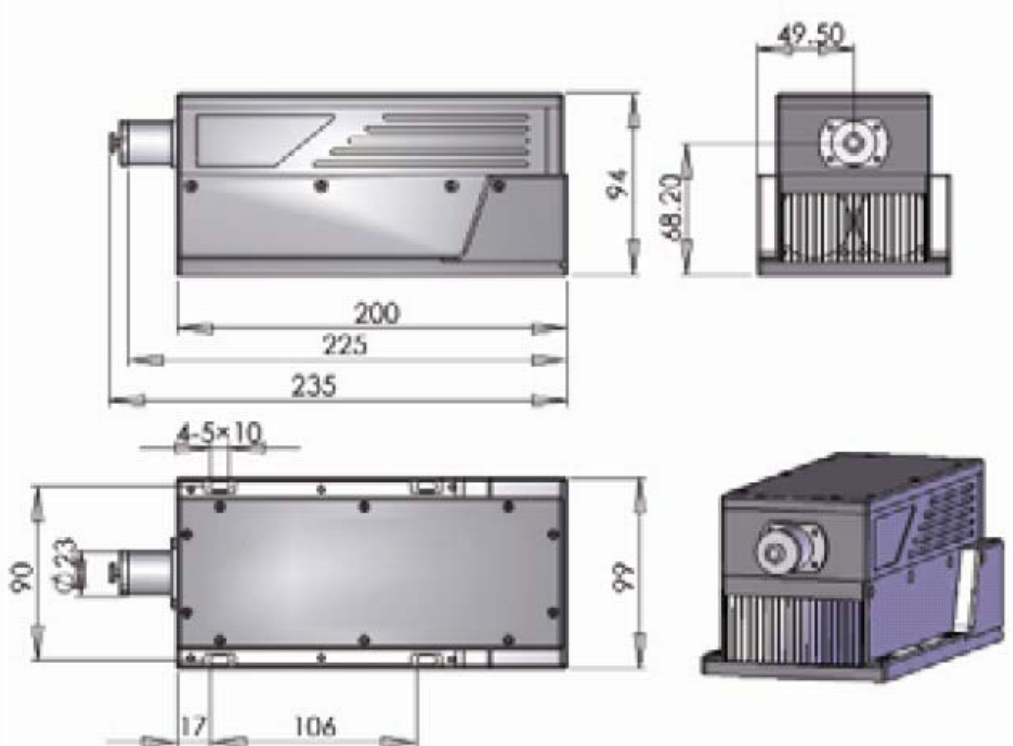


Diode Pumped Solid State Laser Module

Mechanical Dimension of Laser Driver with power 0.1W~0.2W:

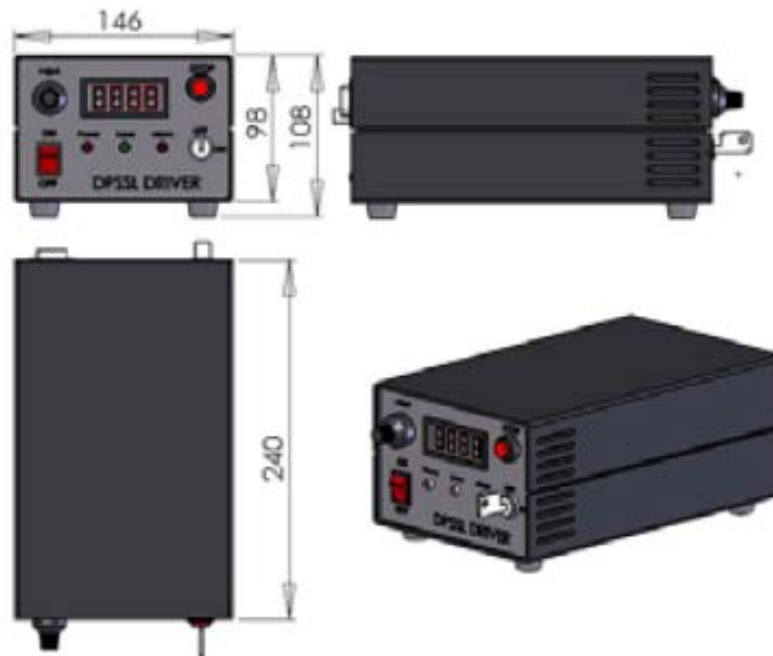


Mechanical Dimension of Laser Head with power 0.5W~1W:



Diode Pumped Solid State Laser Module

Mechanical Dimension of Laser Driver with power 0.5W ~ 1W:



This component does not comply with the Federal Regulations (21 CFR Sub chapter 1) as administered by the Center for Devices and Radiological health. Purchaser acknowledges that his/her products must comply with these regulations before they can be sold to a customer. The output light from this product is harmful to a human body even if it is invisible. Avoid looking at the output of this product directly, or through a lens during operation. Observance of operation should be through a TV camera or related equipment. Refer to IEC 825-1 and 21 CFR 1040.10-1040.11 as a radiation safety standard for laser products.

RGBLase LLC follows a policy of continuous product improvement. Specifications are subject to change without notice.