

## Diode Pumped Solid State Laser Module

### Key Features:

- ◆ 532nm output, TEM00
- ◆ Constant Power Control
- ◆ Remote control
- ◆ TTL Modulation (optional)
- ◆ ESD protection
- ◆ Plug & Play
- ◆ Low Noise (optional)

### Applications:

- ◆ Bio Technology
- ◆ Photo Finishing
- ◆ Semiconductor Instrument
- ◆ Medical Instrument
- ◆ Scientific Research



### Specifications:

<b>Wavelength</b>	532nm
<b>CW Output power</b>	20mW ~ 15W
<b>Output stability</b>	5% standard, 3% optional
<b>Optical Noise (RMS)</b>	10% or 1%(Low noise version optional)
<b>Transverse beam mode</b>	
20mW ~ 450mW	TEM <sub>00</sub>
500mW ~ 15W	Near TEM <sub>00</sub>
<b>Beam Divergence (1/e<sup>2</sup>, Full Angle)</b>	
20mW ~ 450mW	<1.5 mrad
500mW ~ 15W	<2 mrad
<b>Beam Diameter (1/e<sup>2</sup>)</b>	
20mW ~ 450mW	~2mm
500mW ~ 2.5W	~3mm
3W ~ 15W	~4mm
<b>M2</b>	
20mW ~ 450mW	<1.2
500mW ~ 15W	<2

# RgBLase LLC

P/N: FB – 532 – XXX

## Diode Pumped Solid State Laser Module

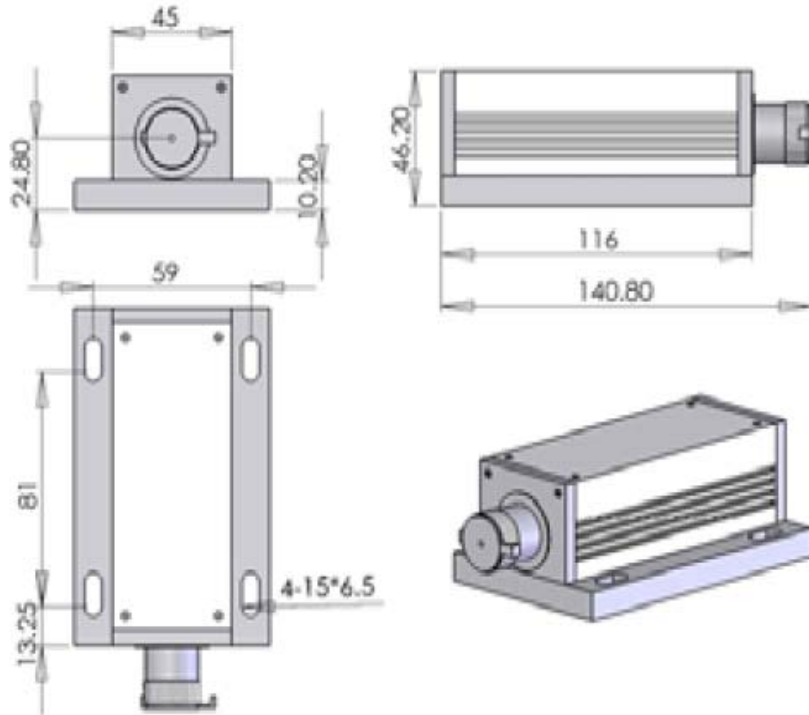
<b>Spectral Linewidth</b>	~0.1nm
<b>Polarization Ratio</b>	100:1( 0 or 90 degree)
<b>Pointing Stability After Warm Up</b>	<0.05mrad
<b>Beam height from base</b>	
20mW ~ 450mW	24.8mm
500mW ~ 1.2W	29mm
1.5W ~ 2.5W	45mm
3W ~ 15W	93.5mm
<b>Operating temperature</b>	10~35 degree C
<b>Warm up time</b>	< 15minutes
<b>Expected lifetime</b>	10,000hours
<b>Mechanical Dimensions(laser head)</b>	
20mW ~ 450mW	140.8mm(L)X73mm(W)X46.2mm(H)
500mW ~ 1.2W	155mm(L)X77mm(W)X60mm(H)
1.5W ~ 2.5W	211.3mm(L)X88mm(W)X74mm(H)
3W ~ 15W	333mm(L)X140mm(W)X125mm(H)
<b>Warranty</b>	1 year from the date ship out from out factory

### Available Optical Power:

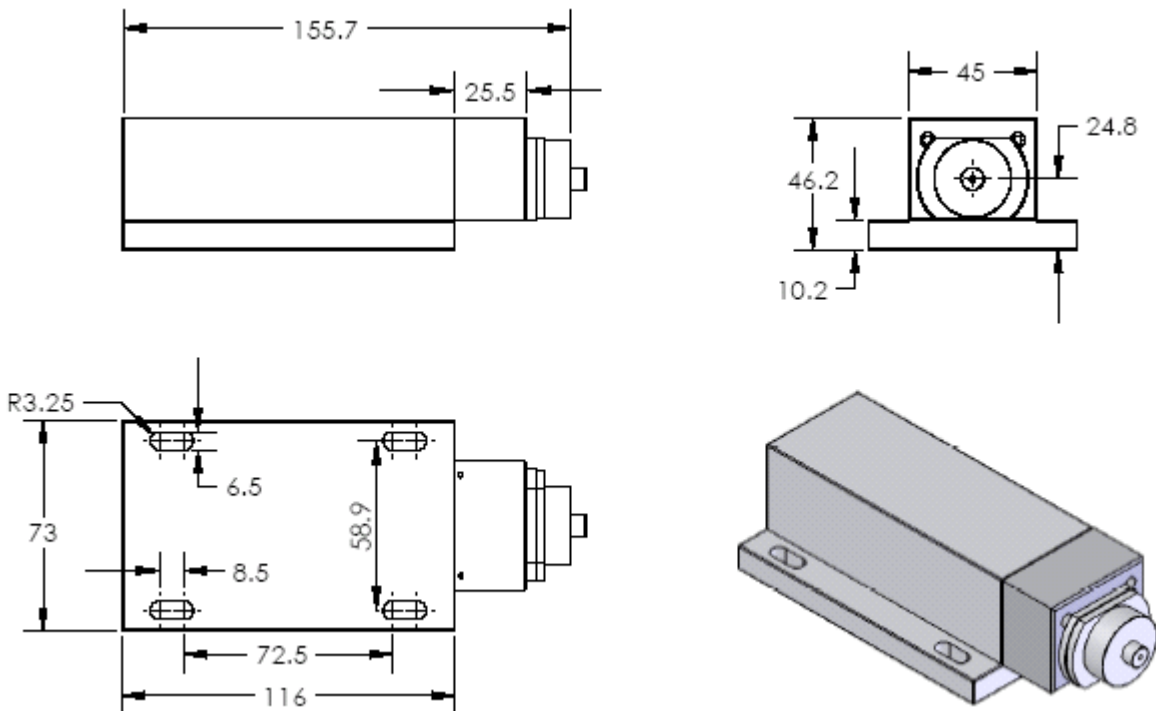
Output Power Level(mW)	20	50	100	200	300	450	500	1.2W	1.5W	2.5W	3W	5W	7W	9W	10W	12W	15W
<b>Free Space TEM00 Mode SLM</b>	√	√	√	√	√												
<b>Free Space TEM00 Mode</b>	√	√	√	√	√	√											
<b>Free Space Multi Transverse Mode</b>							√	√	√	√	√	√	√	√	√	√	√
<b>Single Mode Fiber Coupling</b>	√	√	√	√													
<b>50um Multi Mode Fiber coupling</b>	√	√	√	√	√	√	√	√	√								
<b>100um Multi Mode Fiber coupling</b>	√	√	√	√	√	√	√	√	√	√	√	√	√	√			
<b>200um Multi Mode Fiber coupling</b>	√	√	√	√	√	√	√	√	√	√	√	√	√	√	√	√	√
<b>400um Multi Mode Fiber coupling</b>	√	√	√	√	√	√	√	√	√	√	√	√	√	√	√	√	√

## Diode Pumped Solid State Laser Module

Mechanical Dimension of Laser Head with power <450mW( Fess Space):

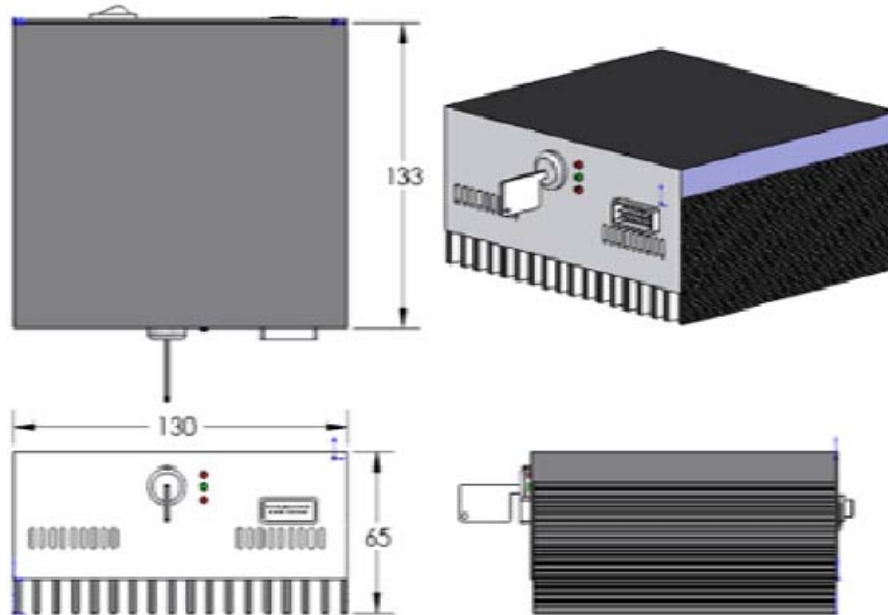


Mechanical Dimension of Laser Head with power <450mW(Fiber Coupled):



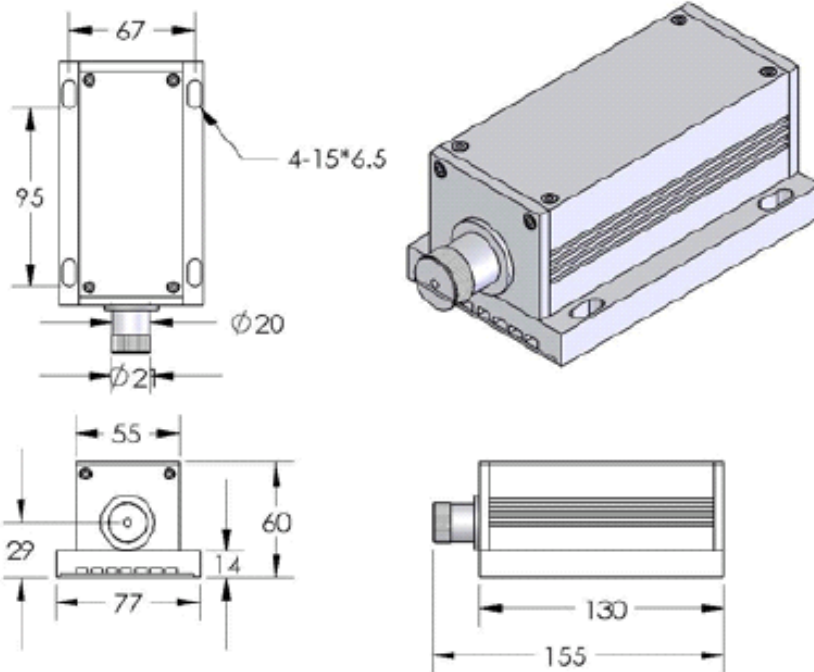
## Diode Pumped Solid State Laser Module

Mechanical Dimension of Laser Driver with power <450W:

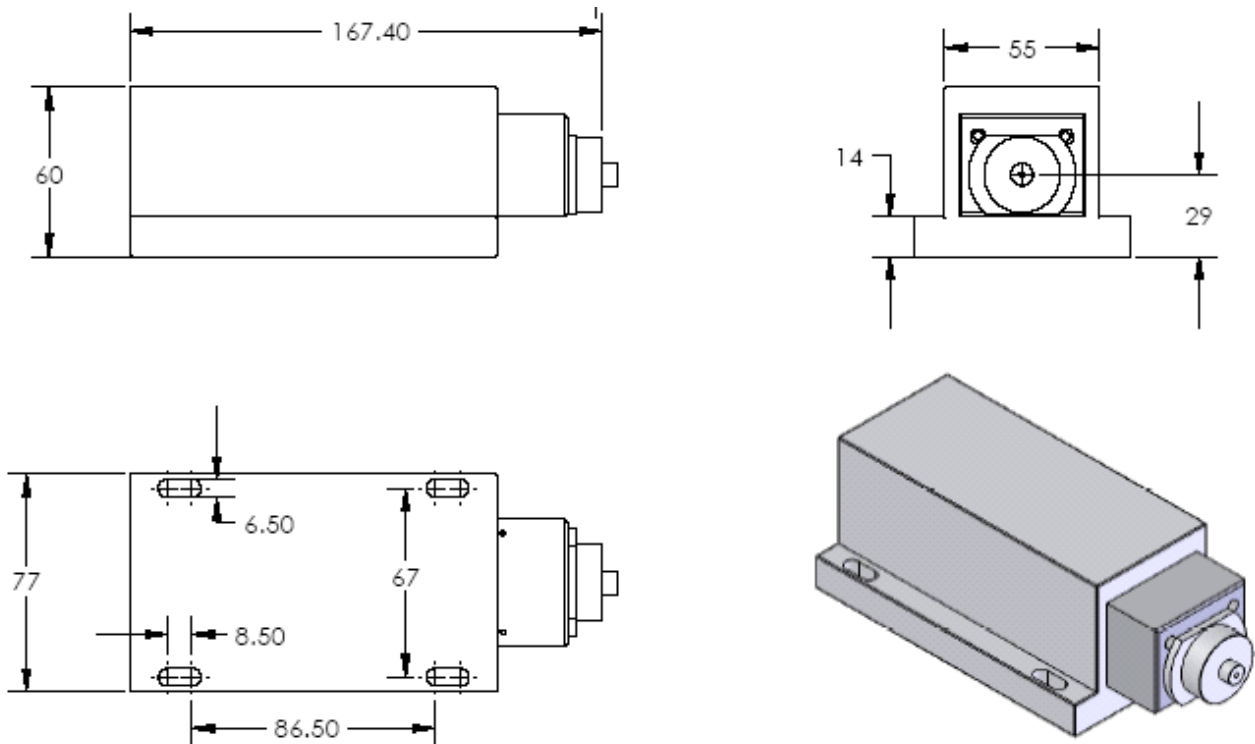


## Diode Pumped Solid State Laser Module

Mechanical Dimension of Laser Head with power 0.5W~1.2W( Free Space):

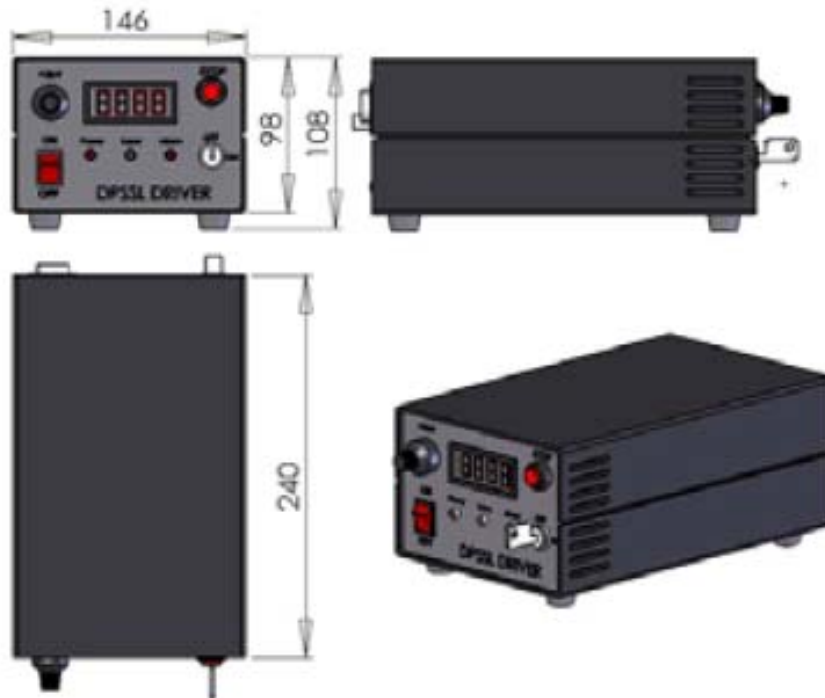


Dimension of Laser Head with power 0.5W~1.2W(Fiber Coupled):

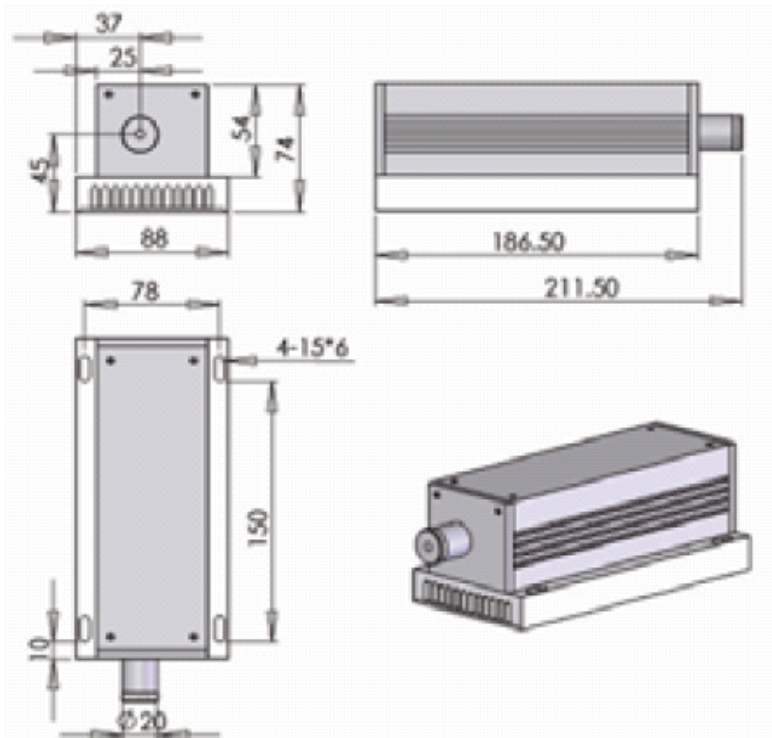


## Diode Pumped Solid State Laser Module

Mechanical Dimension of Laser Driver with power 0.5W~1.2W:

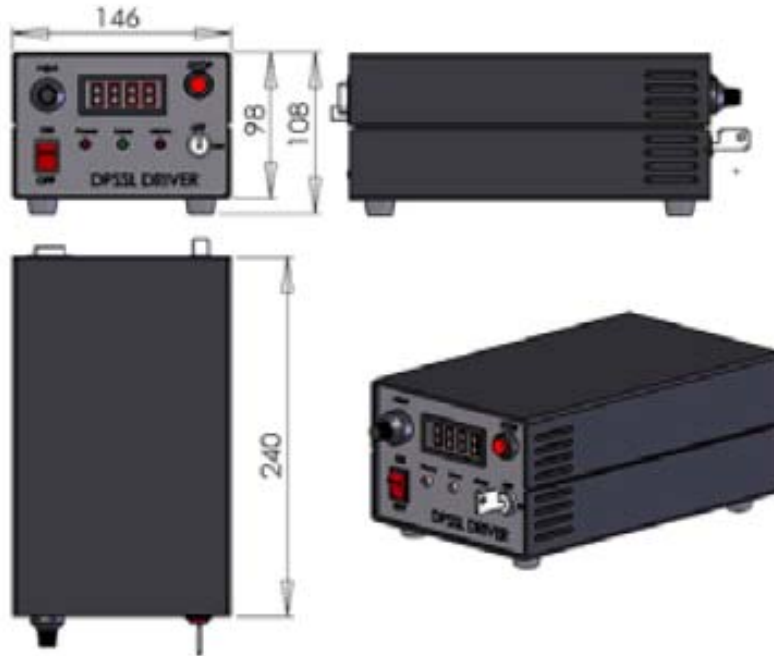


Mechanical Dimension of Laser Head with power 1.5W~2.5W:

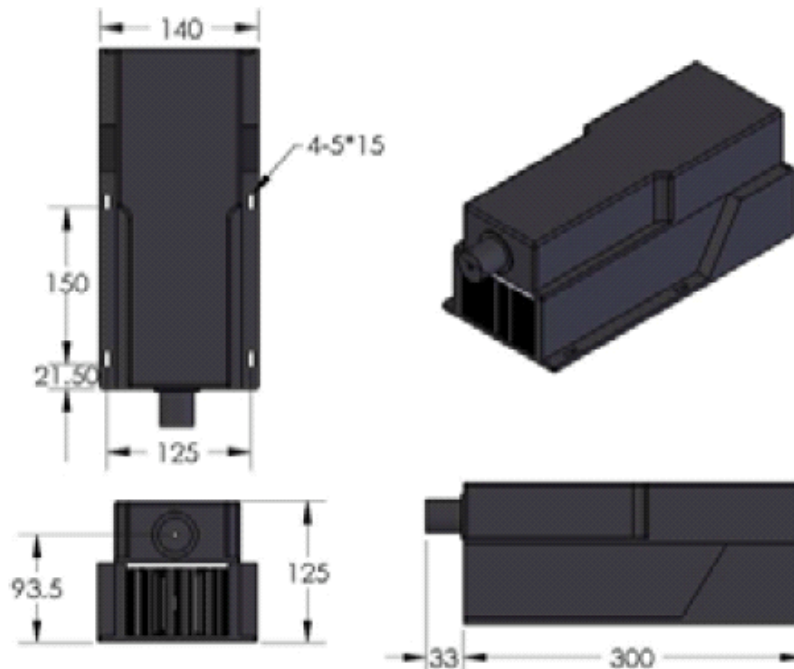


## Diode Pumped Solid State Laser Module

Mechanical Dimension of Laser Driver with power 1.5W~2.5W:

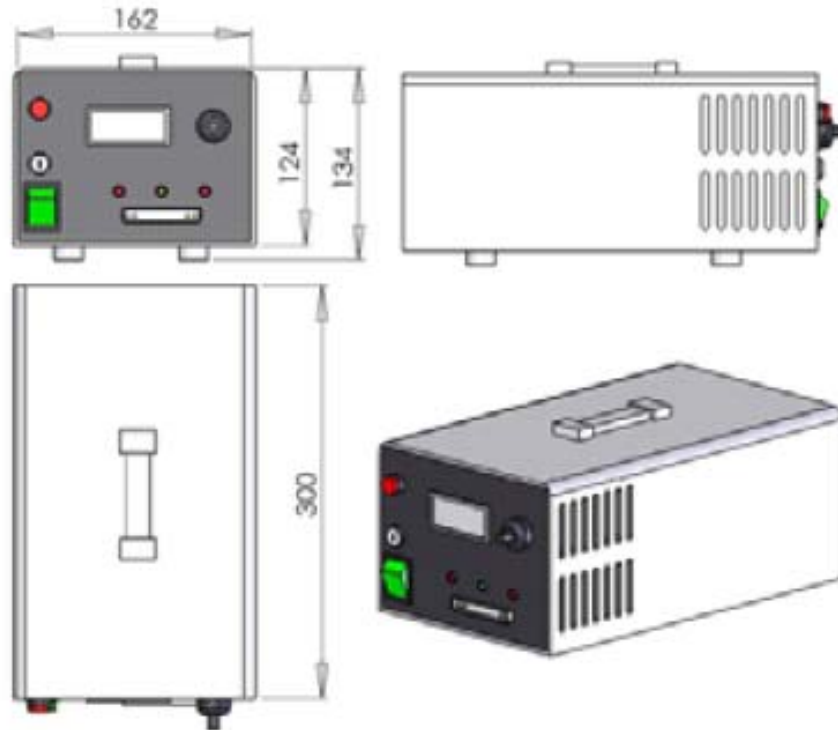


Mechanical Dimension of Laser Head with power 3W~15W:



## Diode Pumped Solid State Laser Module

Mechanical Dimension of Laser Driver with power 3W~15W:



This component does not comply with the Federal Regulations (21 CFR Sub chapter 1) as administered by the Center for Devices and Radiological health. Purchaser acknowledges that his/her products must comply with these regulations before they can be sold to a customer. The output light from this product is harmful to a human body even if it is invisible. Avoid looking at the output of this product directly, or through a lens during operation. Observance of operation should be through a TV camera or related equipment. Refer to IEC 825-1 and 21 CFR 1040.10-1040.11 as a radiation safety standard for laser products.

RgBLase LLC follows a policy of continuous product improvement. Specifications are subject to change without notice.