

Diode Pumped Solid State Laser Module

Key Features:

- ◆ 526nm output
- ◆ Constant Power Control
- ◆ Remote control
- ◆ TTL Modulation (optional)
- ◆ ESD protection
- ◆ Plug & Play
- ◆ Fiber Coupling

Applications:

- ◆ Bio Technology
- ◆ Photo Finishing
- ◆ Semiconductor Instrument
- ◆ Medical Instrument
- ◆ Scientific Research

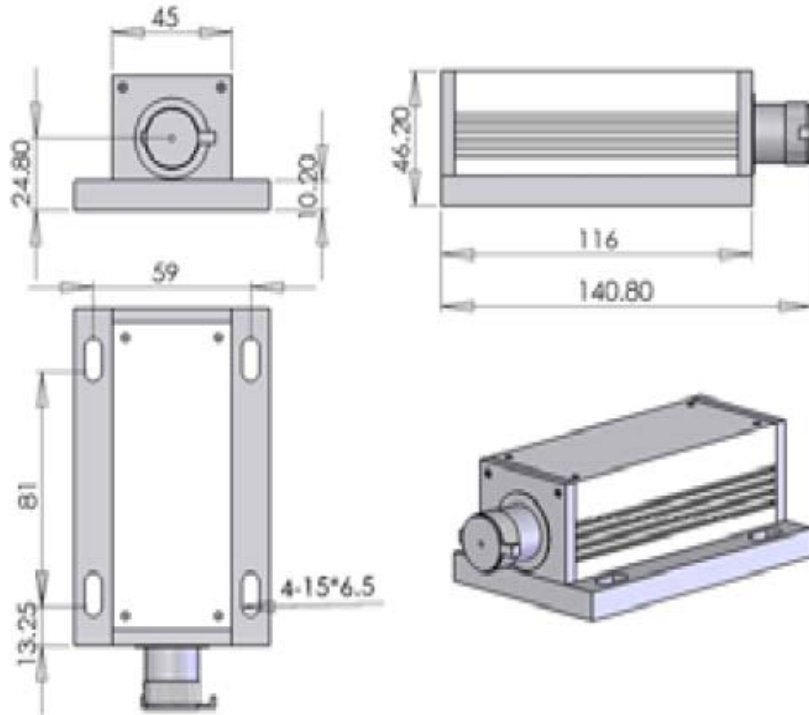


Specifications:

Wavelength	526.5nm +/-1nm
CW Output power	10mW ~ 200mW
Output stability	10% standard, 5% optional
Optical Noise (RMS)	10%
Transverse beam mode	Near TEM ₀₀
Beam Divergence (1/e ² , Full Angle)	<1.5 mrad
Beam Diameter (1/e ²)	~2mm
M2	<1.2
Spectral Linewidth	~0.1nm
Polarization Ratio	100:1 (0 or 90 degree)
Pointing Stability After Warm Up	<0.05mrad
Beam height from base	24.8mm
Operating temperature	10~35 degree C
Warm up time	< 15minutes
Expected lifetime	10,000hours
Mechanical Dimensions(laser head)	140.8mm(L)X73mm(W)X46.2mm(H)
Warranty	1 year from the date ship out from out factory

Diode Pumped Solid State Laser Module

Mechanical Dimension of Laser Head:



Mechanical Dimension of Laser Driver:

