

Diode Pumped Solid State Laser Module

Key Features:

- ◆ 457nm output
- ◆ Constant Power Control
- ◆ Remote control
- ◆ TTL Modulation (optional)
- ◆ ESD protection
- ◆ Plug & Play
- ◆ Low Noise (optional)



Applications:

- ◆ Bio Technology
- ◆ Photo Finishing
- ◆ Semiconductor Instrument
- ◆ Medical Instrument
- ◆ Scientific Research

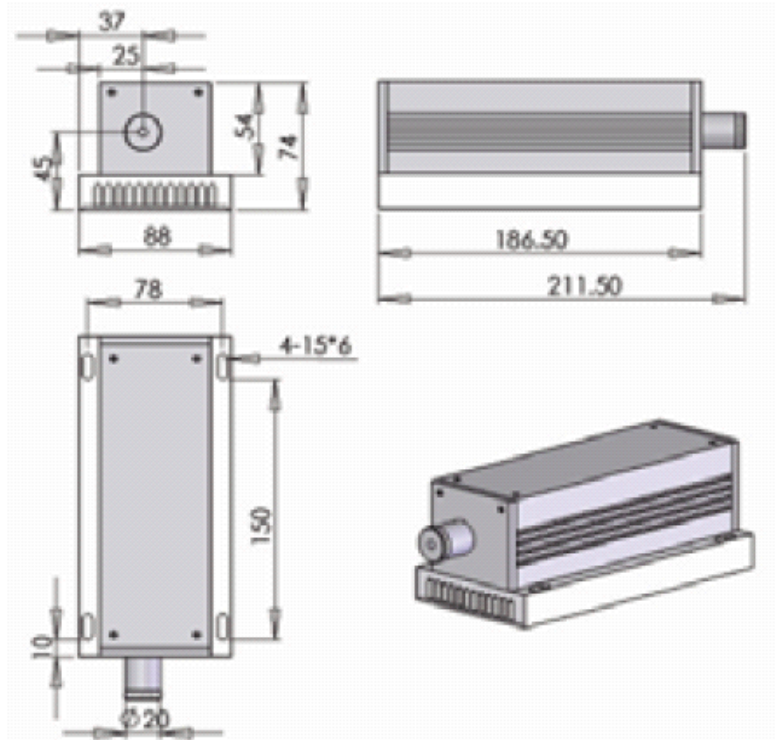
Specifications:

Wavelength	457 ±1 nm
CW Output power	10mW ~ 10W
Output stability	±5%
Optical Noise (RMS)	Standard 30% or 3% Optional
Transverse beam mode	Multi Transverse Mode
Beam Divergence (1/e², Full Angle)	
10mW ~ 2W	<1.5 mrad
2W ~ 10W	<2 mrad
Beam Diameter (1/e²)	
10mW ~ 2W	~3mm
2W ~ 10W	~4mm
M2	
10mW ~ 800mW	<2
1W ~ 2W	<3
2W ~ 10W	3 ~ 6
Spectral Linewidth	~0.1nm
Polarization Ratio	100:1 (0 or 90 degree)

Diode Pumped Solid State Laser Module

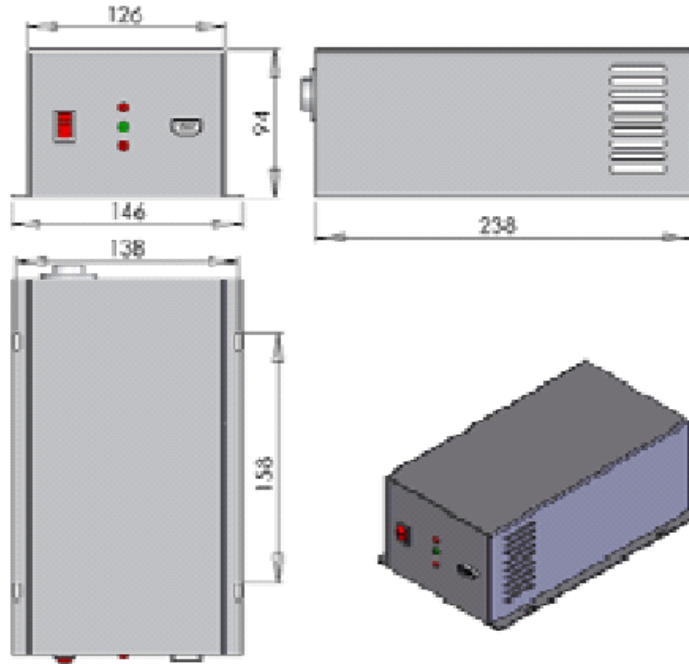
Pointing Stability After Warm Up	0.05mrad
Beam height from base	
10mW ~ 800mW	45mm
1W ~ 2W	68.2mm
2W ~ 10W	93.5mm
Operating temperature	10~ 35 degree C
Warm up time	< 15minutes
Expected lifetime	10,000hours
Mechanical Dimensions(laser head)	
10mW ~ 800mW	211.3mm(L)X88mm(W)X74mm(H)
1W ~ 2W	235mm(L)X99mm(W)X94mm(H)
2W ~ 10W	333mm(L)X140mm(W)X125mm(H)
Warranty	1 year from the date ship out from out factory

Mechanical Dimension of Laser Head with power <800mW:

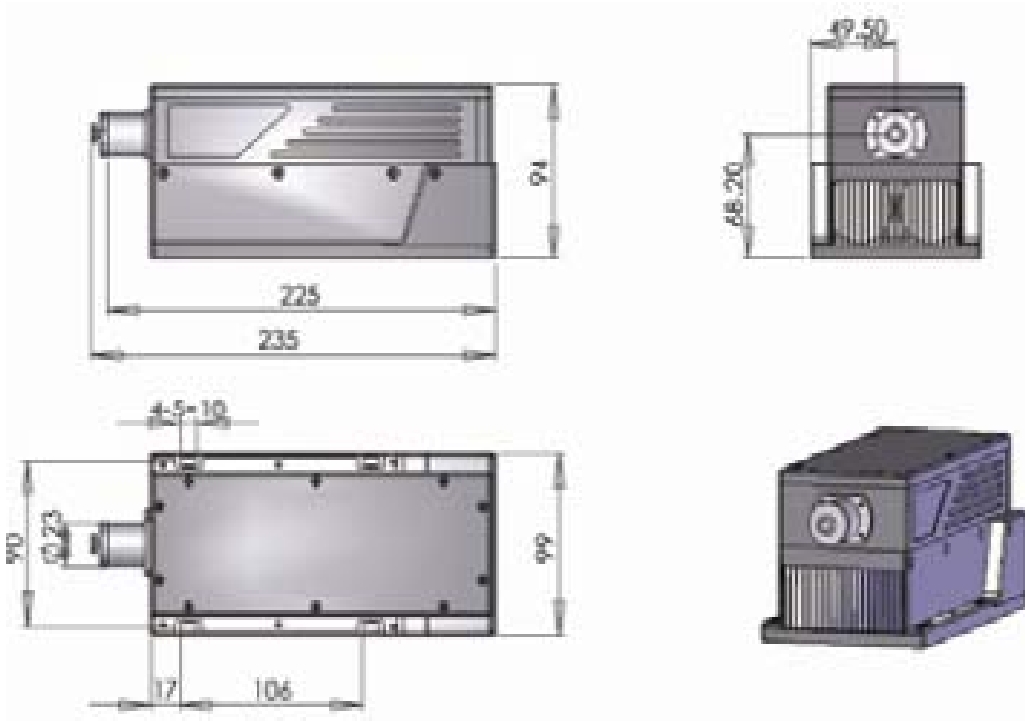


Diode Pumped Solid State Laser Module

Mechanical Dimension of Laser Driver with power <800mW:

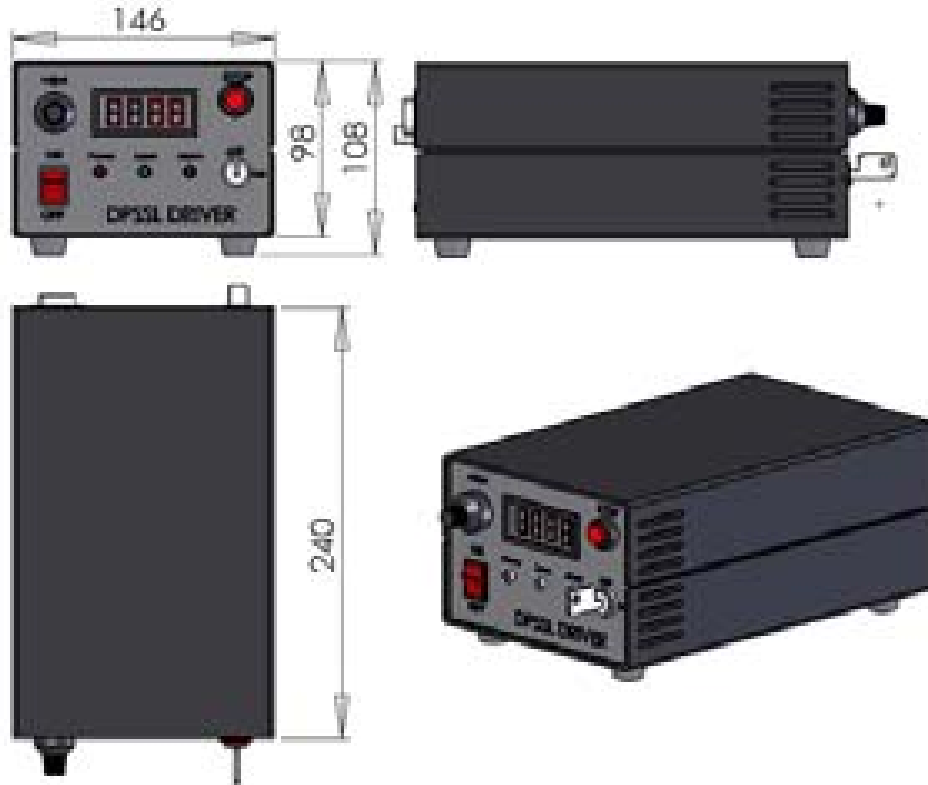


Mechanical Dimension of Laser Head with power 1W ~ 2W:

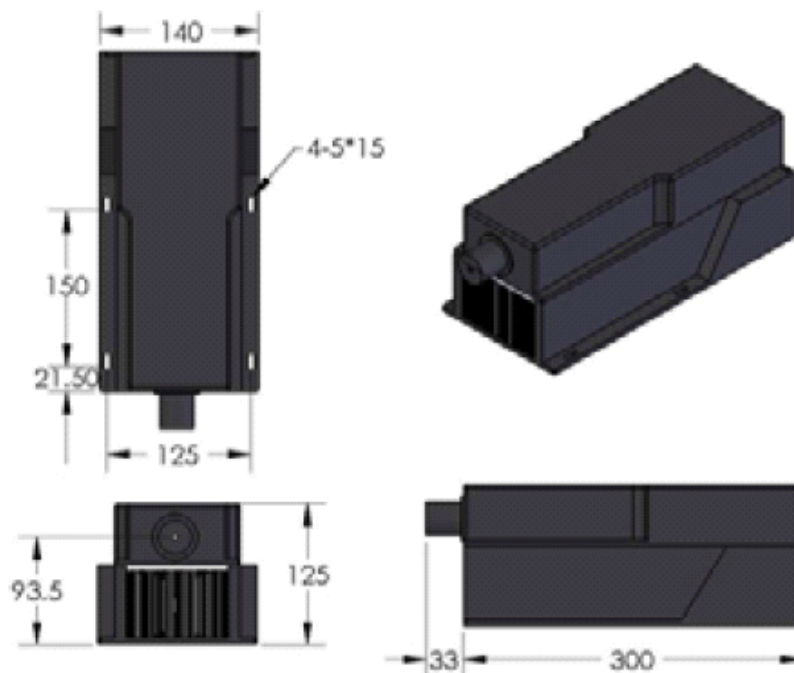


Diode Pumped Solid State Laser Module

Mechanical Dimension of Laser Driver with power 1W ~ 2W:

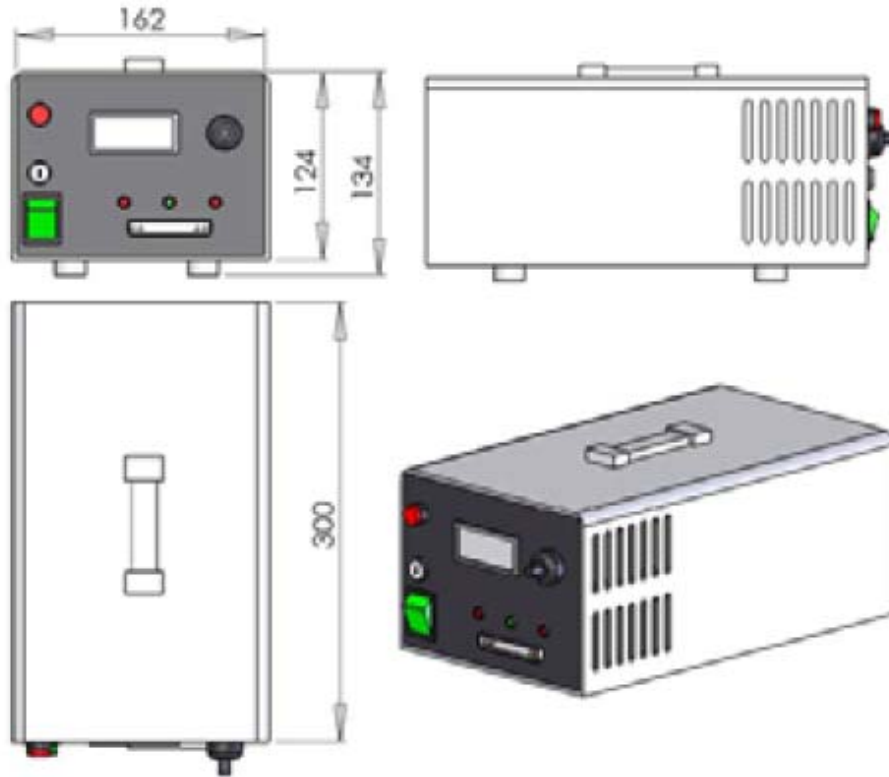


Mechanical Dimension of Laser Head with power 2W ~ 10W:



Diode Pumped Solid State Laser Module

Mechanical Dimension of Laser Driver with power 2W ~ 10W:



This component does not comply with the Federal Regulations (21 CFR Sub chapter 1) as administered by the Center for Devices and Radiological health. Purchaser acknowledges that his/her products must comply with these regulations before they can be sold to a customer. The output light from this product is harmful to a human body even if it is invisible. Avoid looking at the output of this product directly, or through a lens during operation. Observance of operation should be through a TV camera or related equipment. Refer to IEC 825-1 and 21 CFR 1040.10-1040.11 as a radiation safety standard for laser products. RgBLase LLC follows a policy of continuous product improvement. Specifications are subject to change without notice.